

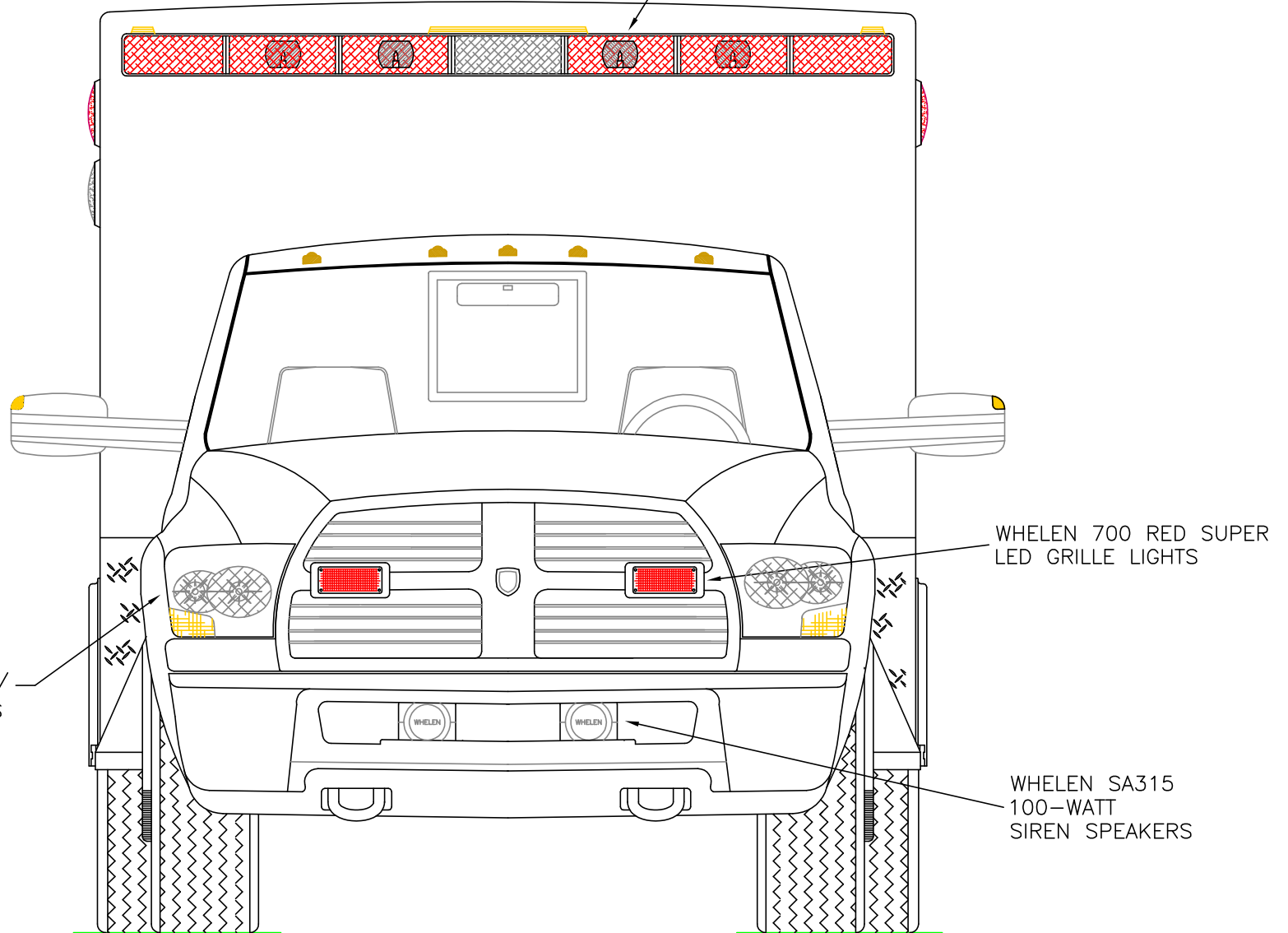
DIMENSIONS FOR OVERALL HEIGHT AND LENGTH ARE APPROXIMATE

OVERALL HEIGHT = 104.5"

OVERALL WIDTH WITH RUB

RAILS & FENDERETTES = 95"

WHELEN 4500 SERIES FRONT LIGHT BAR
(3) 700 SERIES HALOGEN FLASHERS; (4) ROTATORS
RH / RR / RR / CH / RR / RR / RH



FLASHING HEADLIGHTS W/
DAYTIME RUNNING LIGHTS

WHELEN 700 RED SUPER
LED GRILLE LIGHTS

WHELEN SA315
100-WATT
SIREN SPEAKERS

THIS DRAWING IS FOR REPRESENTATIONAL PURPOSES ONLY. DETAILS ARE CONCEPTUAL AND ARE SUBJECT TO CHANGE DURING DESIGN AND CONSTRUCTION
DIMENSIONS ARE APPROXIMATE UNLESS NOTED OTHERWISE TO MEET A SPECIFIC CUSTOMER NEED.



2012 FRONT EXTERIOR VIEW
EXPRESS-I / DODGE D3500 CHASSIS

DATE:	24 JUNE 11		DRAWING NO.
DWG.	GLF	REV.	
	1:18	NR	

DIMENSIONS FOR OVERALL HEIGHT AND LENGTH ARE APPROXIMATE

OVERALL HEIGHT = 104.5"

OVERALL WIDTH WITH RUB

RAILS & FENDERETTES = 95"

FLOOR HEIGHT = 31"

WHELEN 4500 SERIES REAR LIGHT BAR

(3) 700 SERIES HALOGEN FLASHERS; (4) ROTATORS; (2) 700 HALOGEN LOAD LIGHTS
RH / RR / RR / LOAD / AH / LOAD / RR / RR / RH

CAST PRODUCTS
DOOR GRABBERS

EXHAUST VENT

LED LICENSE
PLATE LIGHT

ONE (1) EACH SIDE
WHELEN
600 INCANDESCENT BRAKE/TAIL,
600 INCANDESCENT TURN
600 HALOGEN BACK-UP

MUD FLAPS

COT PROTECTOR
ON STEP EDGE

INDEPENDENT BUMPER WITH
FLIP-UP CENTER STEP

THIS DRAWING IS FOR REPRESENTATIONAL PURPOSES ONLY. DETAILS ARE CONCEPTUAL AND ARE SUBJECT TO CHANGE DURING DESIGN AND CONSTRUCTION
DIMENSIONS ARE APPROXIMATE UNLESS NOTED OTHERWISE TO MEET A SPECIFIC CUSTOMER NEED.



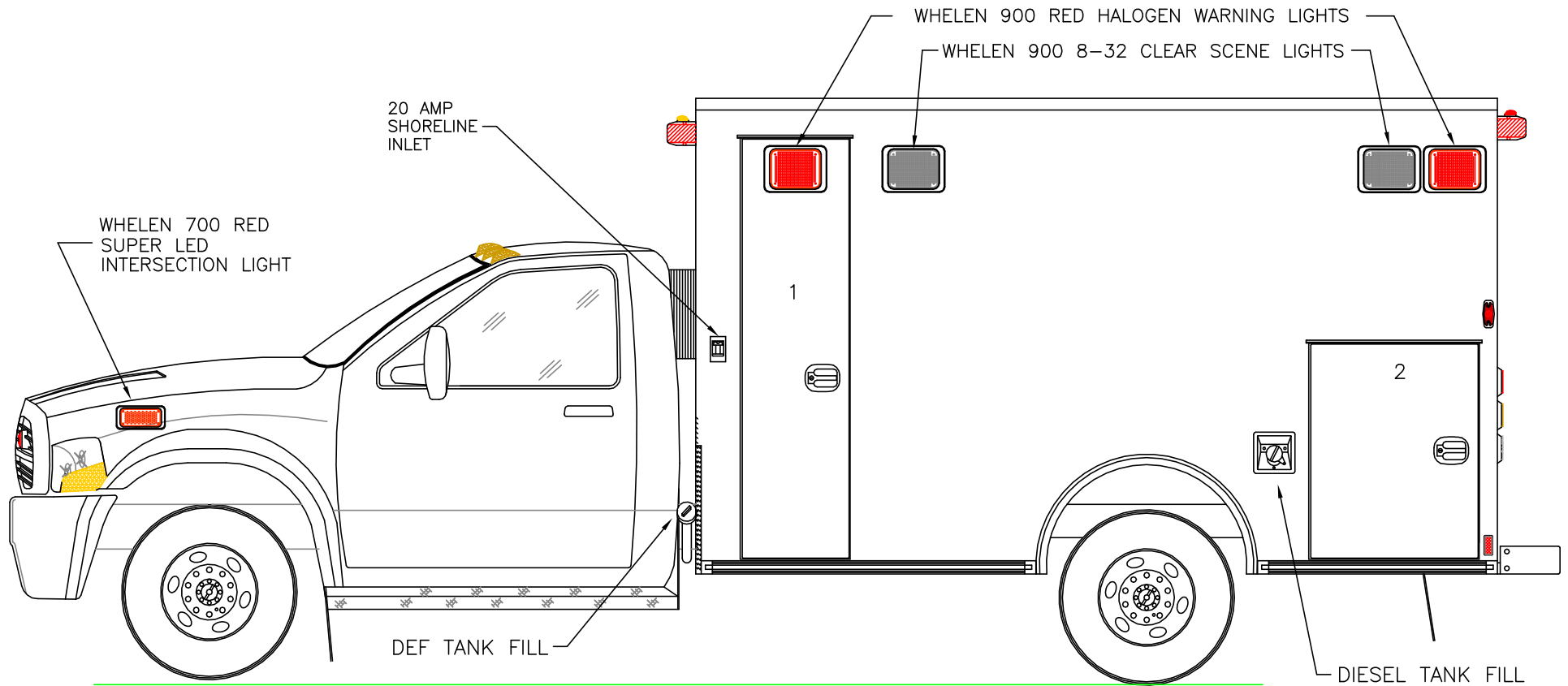
2012 REAR EXTERIOR VIEW
EXPRESS-I

1:16

DATE:	24 JUNE 11
DWG.	REV.
GLF	NR

DRAWING NO.
EXD3500-2

DIMENSIONS FOR OVERALL HEIGHT AND LENGTH ARE APPROXIMATE
 OVERALL HEIGHT = 104.50"
 OVERALL LENGTH = 281.5"
 MODULE LENGTH = 144"



COMPARTMENT
 O.S.S #1
 CLEAR OPENING: 73.25h x 16.00w
 INSIDE DIMS: 75.00h x 22.75w x 18.50d
 BACKBOARD/SCOOP STORAGE

O.S.S #2
 CLEAR OPENING: 37.25h x 26.00w
 INSIDE DIM'S.: 42.50h x 32.25w x 18.50d

THIS DRAWING IS FOR REPRESENTATIONAL PURPOSES ONLY. DETAILS ARE CONCEPTUAL AND ARE SUBJECT TO CHANGE DURING DESIGN AND CONSTRUCTION
 DIMENSIONS ARE APPROXIMATE UNLESS NOTED OTHERWISE TO MEET A SPECIFIC CUSTOMER NEED.

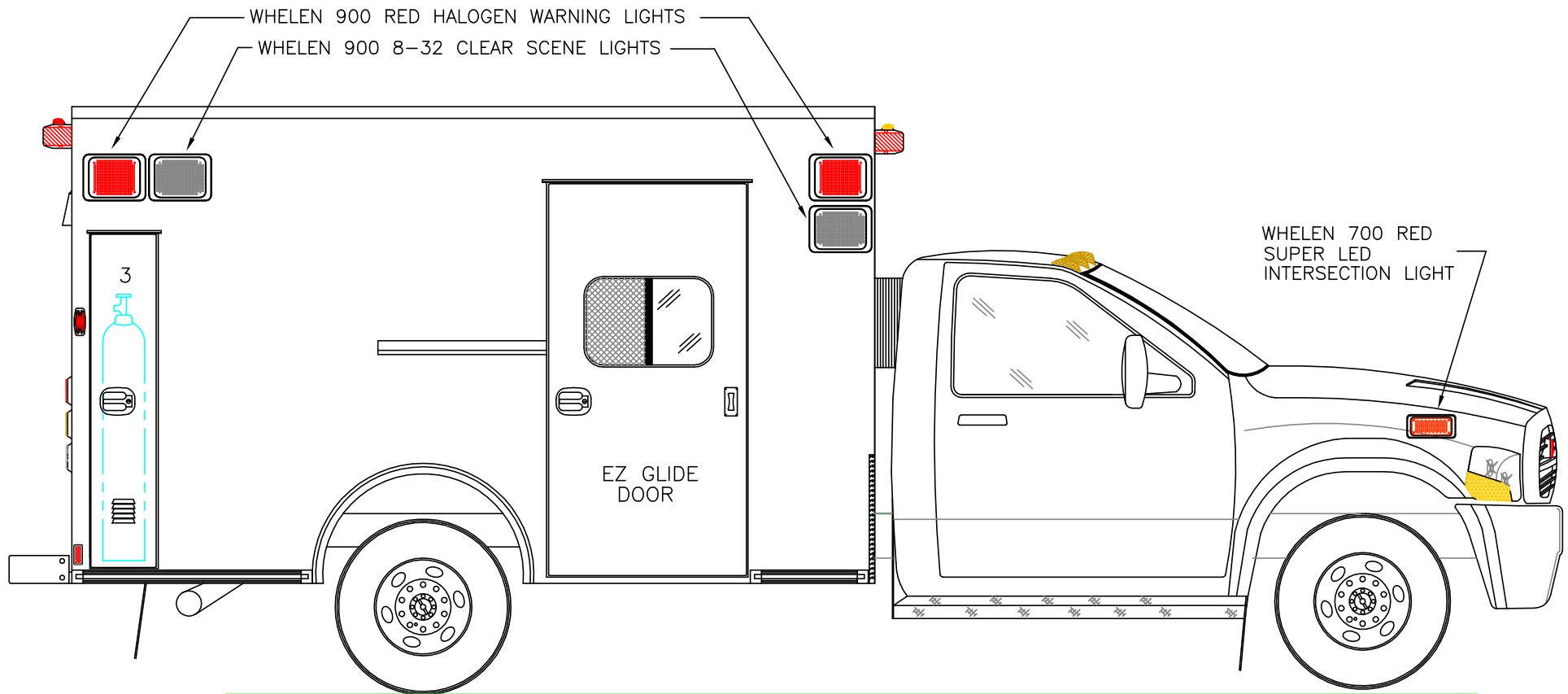


2012 STREETSIDE EXTERIOR VIEW
 EXPRESS-I / DODGE D3500 CHASSIS

DATE: 24 JUNE 11	DRAWING NO.
DWG. REV. GLF NR	EXD3500-3

1:28

DIMENSIONS FOR OVERALL HEIGHT AND LENGTH ARE APPROXIMATE
 OVERALL HEIGHT = 104.50"
 OVERALL LENGTH = 281.5"
 MODULE LENGTH = 144"



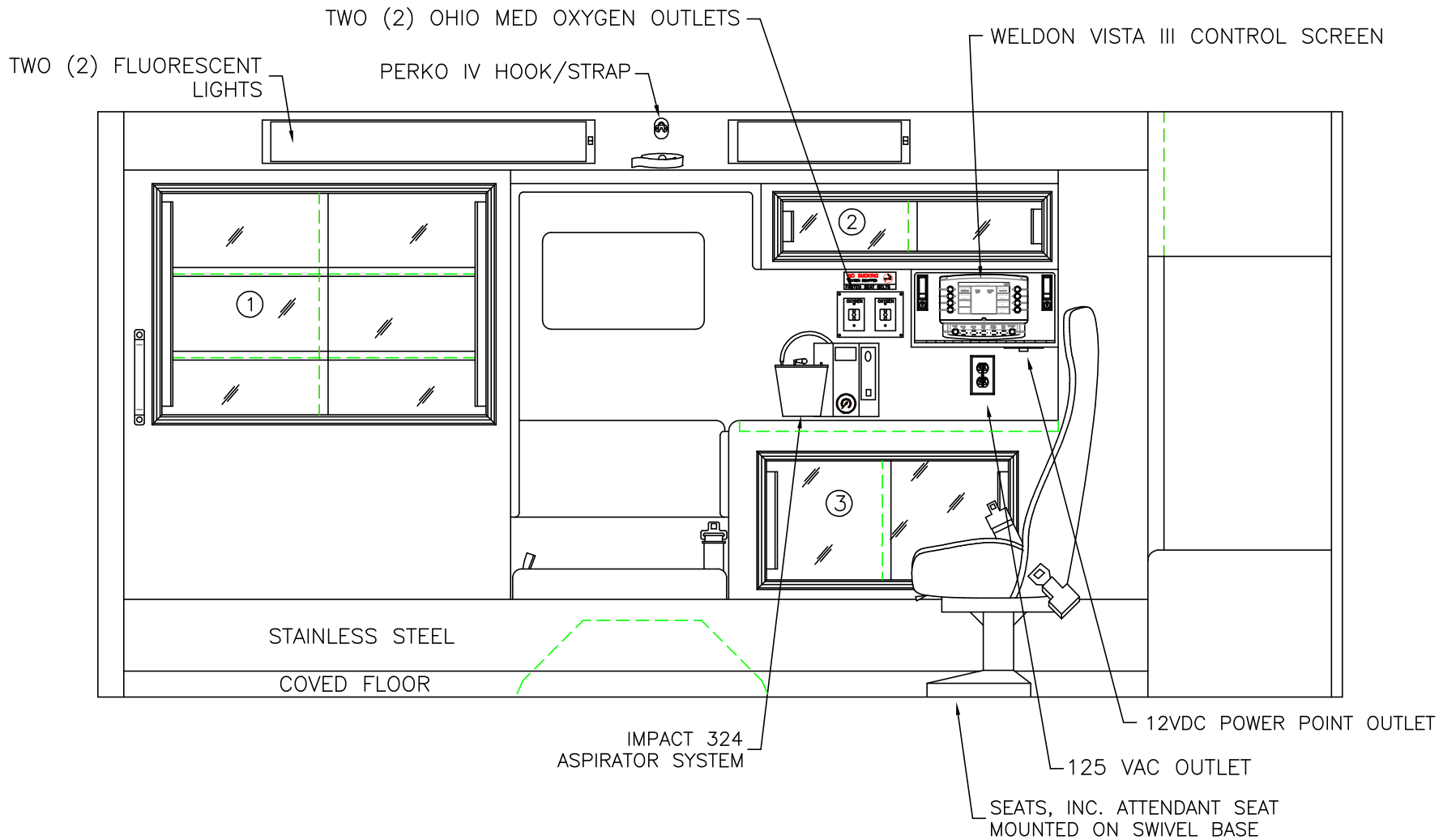
O.S.S #3
 CLEAR OPENING: 58.50h x 9.00w
 INSIDE DIM'S.: 59.25h x 12.00w x 14.50d
 OXYGEN COMPARTMENT FOR "M" OR "H" CYLINDER

THIS DRAWING IS FOR REPRESENTATIONAL PURPOSES ONLY. DETAILS ARE CONCEPTUAL AND ARE SUBJECT TO CHANGE DURING DESIGN AND CONSTRUCTION
 DIMENSIONS ARE APPROXIMATE UNLESS NOTED OTHERWISE TO MEET A SPECIFIC CUSTOMER NEED.



2012 CURBSIDE EXTERIOR VIEW
 EXPRESS-I / DODGE D3500 CHASSIS

DATE:	24 JUNE 11		DRAWING NO.
DWG.	GLF	REV.	NR
1:28			EXD3500-4



COMPARTMENT:

#1 DOOR OPENING: 25.50h x 37.50w
 INSIDE DIMS: 28.00h x 39.50w x 16.25d
 TWO (2) ADJUSTABLE SHELVES
 #2 DOOR OPENING: 5.75h x 30.00w
 INSIDE DIMS: 9.50h x 32.50w x 15.00d

#3 DOOR OPENING: 13.75h x 28.00w
 INSIDE DIMS: 17.50h x 30.00w x 16.25d

THIS DRAWING IS FOR REPRESENTATIONAL PURPOSES ONLY. DETAILS ARE CONCEPTUAL AND ARE SUBJECT TO CHANGE DURING DESIGN AND CONSTRUCTION DIMENSIONS ARE APPROXIMATE UNLESS NOTED OTHERWISE TO MEET A SPECIFIC CUSTOMER NEED.

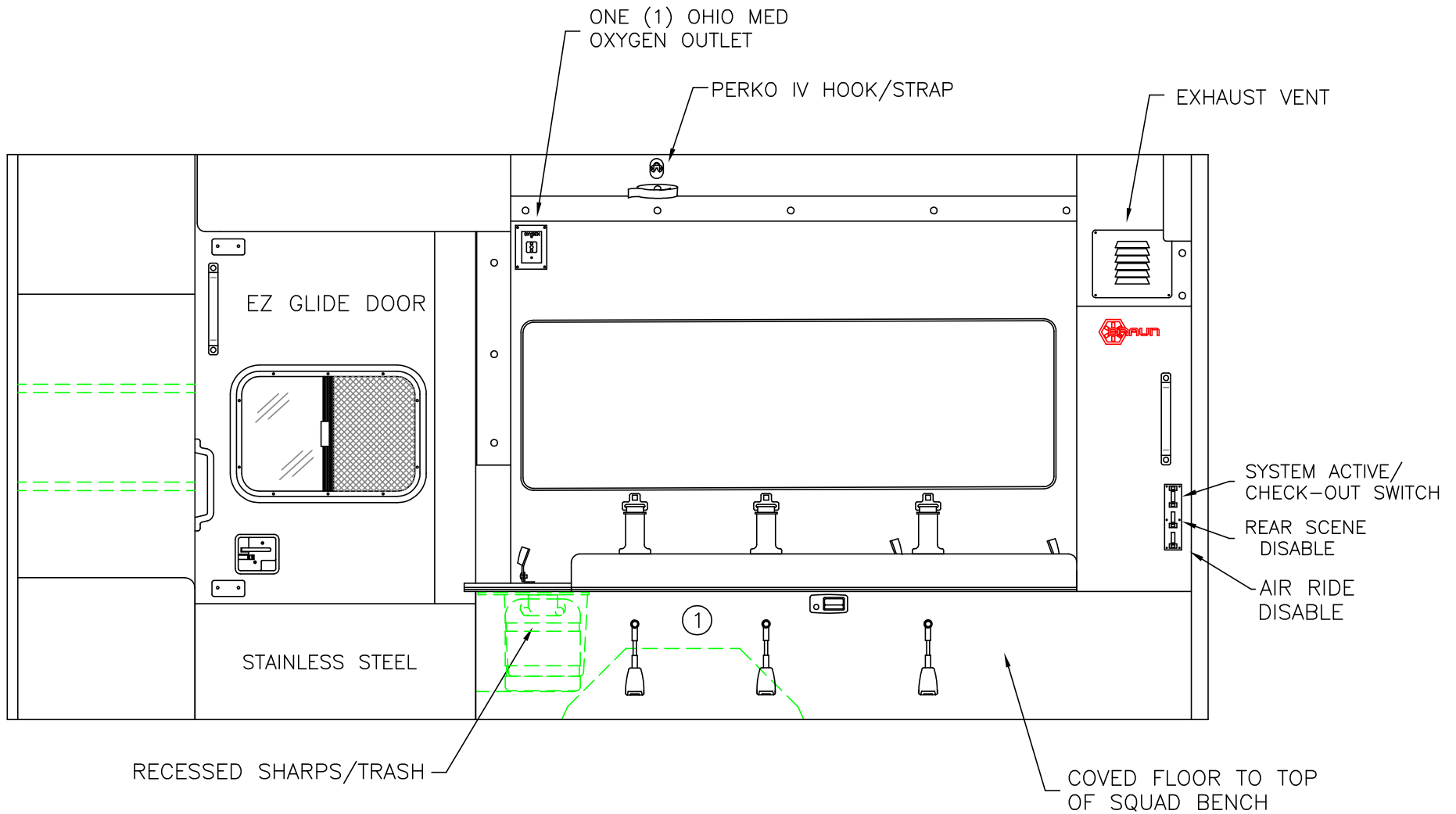


2012 STREETSIDE INTERIOR WITH CPR SEAT
 EXPRESS-I

1:18

DATE: 27 JUNE 11	
DWG. GLF	REV. NR

DRAWING NO.
EXD3500-5



COMPARTMENT
 #1 INSIDE DIMS: 15.50h x 72.00w x 18.50d

THIS DRAWING IS FOR REPRESENTATIONAL PURPOSES ONLY. DETAILS ARE CONCEPTUAL AND ARE SUBJECT TO CHANGE DURING DESIGN AND CONSTRUCTION DIMENSIONS ARE APPROXIMATE UNLESS NOTED OTHERWISE TO MEET A SPECIFIC CUSTOMER NEED.

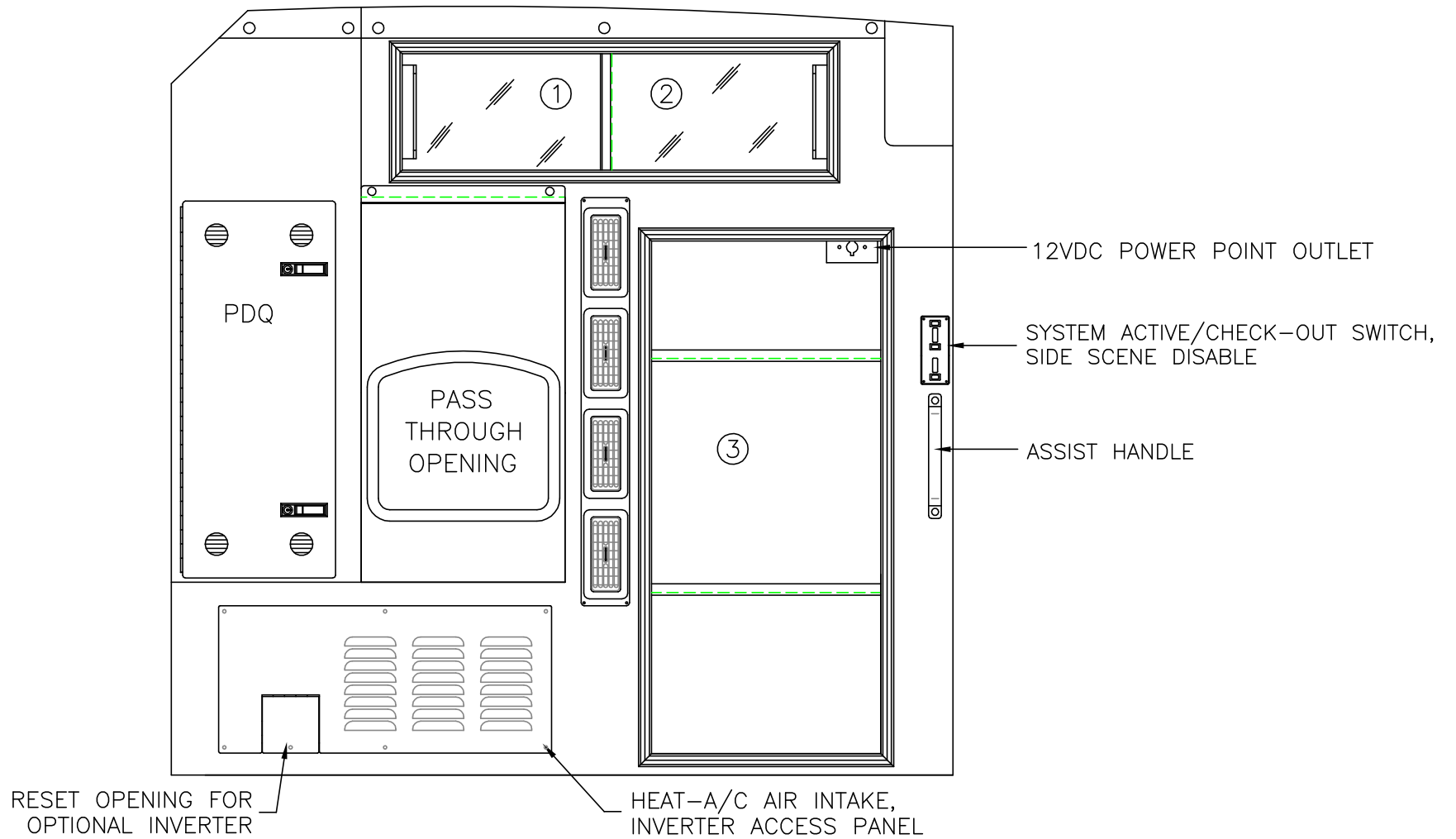


2012 CURBSIDE INTERIOR VIEW
 EXPRESS-I

1:18

DATE:	25 JUNE 11
DWG.	GLF
REV.	NR

DRAWING NO.
 EXD3500-6



COMPARTMENT

#1/#2 DOOR OPENING: 10.25h x 37.25w
 INSIDE DIMS: 14.50h x 43.25w x 19.75d
 PERMANENT DIVIDER(CENTERED)

#3 DOOR OPENING: 45.25h x 20.25w
 INSIDE DIMS: 50.75h x 24.75w x 20.00d
 TWO (2) ADJUSTABLE SHELVES

THIS DRAWING IS FOR REPRESENTATIONAL PURPOSES ONLY. DETAILS ARE CONCEPTUAL AND ARE SUBJECT TO CHANGE DURING DESIGN AND CONSTRUCTION DIMENSIONS ARE APPROXIMATE UNLESS NOTED OTHERWISE TO MEET A SPECIFIC CUSTOMER NEED.



2012 PARTITION INTERIOR VIEW
 EXPRESS-I

1:14

DATE:	25 JUNE 11	
DWG.	GLF	REV. NR

DRAWING NO.
 EXD3500-7

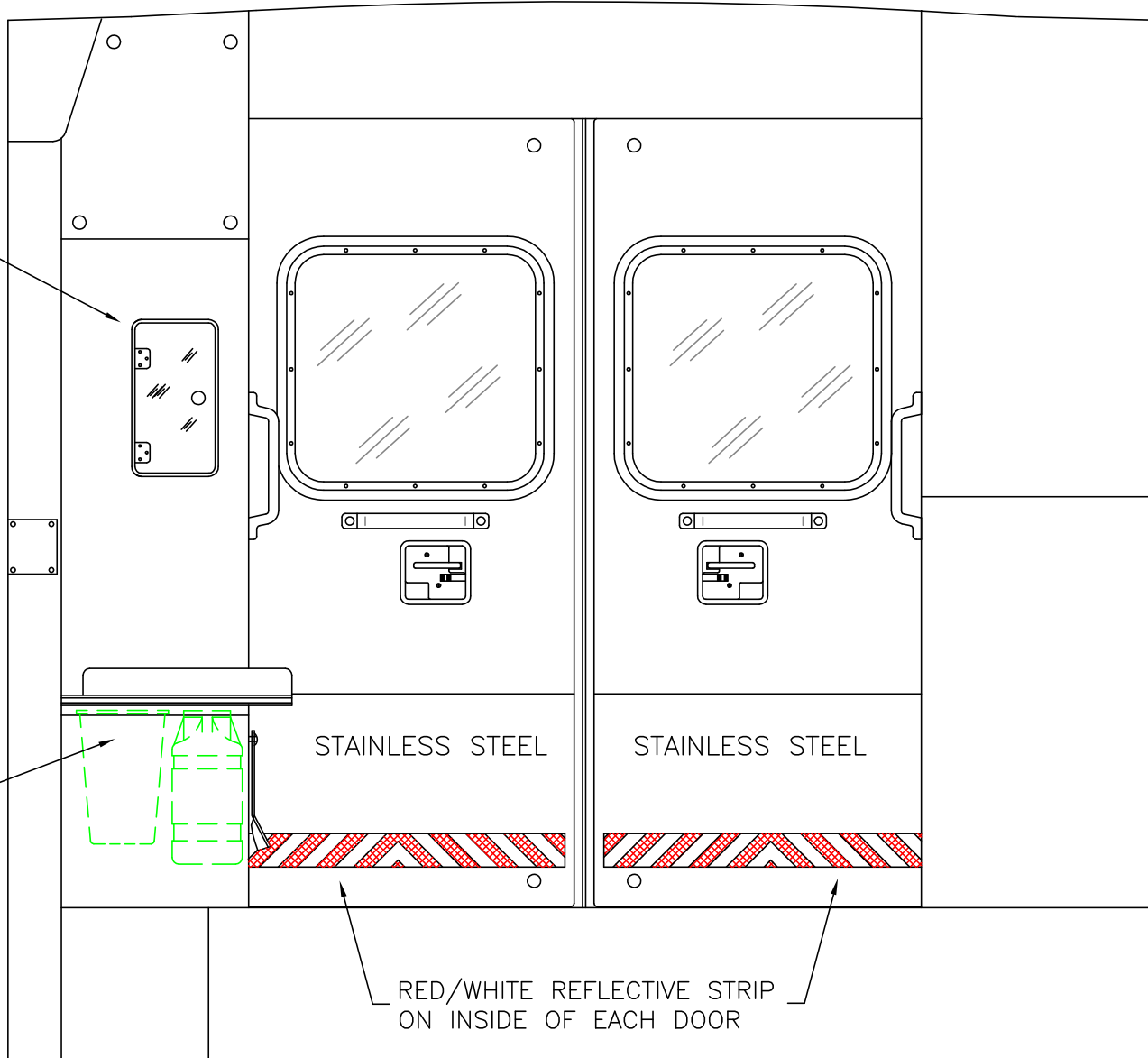
OXYGEN ACCESS

RECESSED SHARPS/TRASH

STAINLESS STEEL

STAINLESS STEEL

RED/WHITE REFLECTIVE STRIP ON INSIDE OF EACH DOOR



THIS DRAWING IS FOR REPRESENTATIONAL PURPOSES ONLY. DETAILS ARE CONCEPTUAL AND ARE SUBJECT TO CHANGE DURING DESIGN AND CONSTRUCTION DIMENSIONS ARE APPROXIMATE UNLESS NOTED OTHERWISE TO MEET A SPECIFIC CUSTOMER NEED.

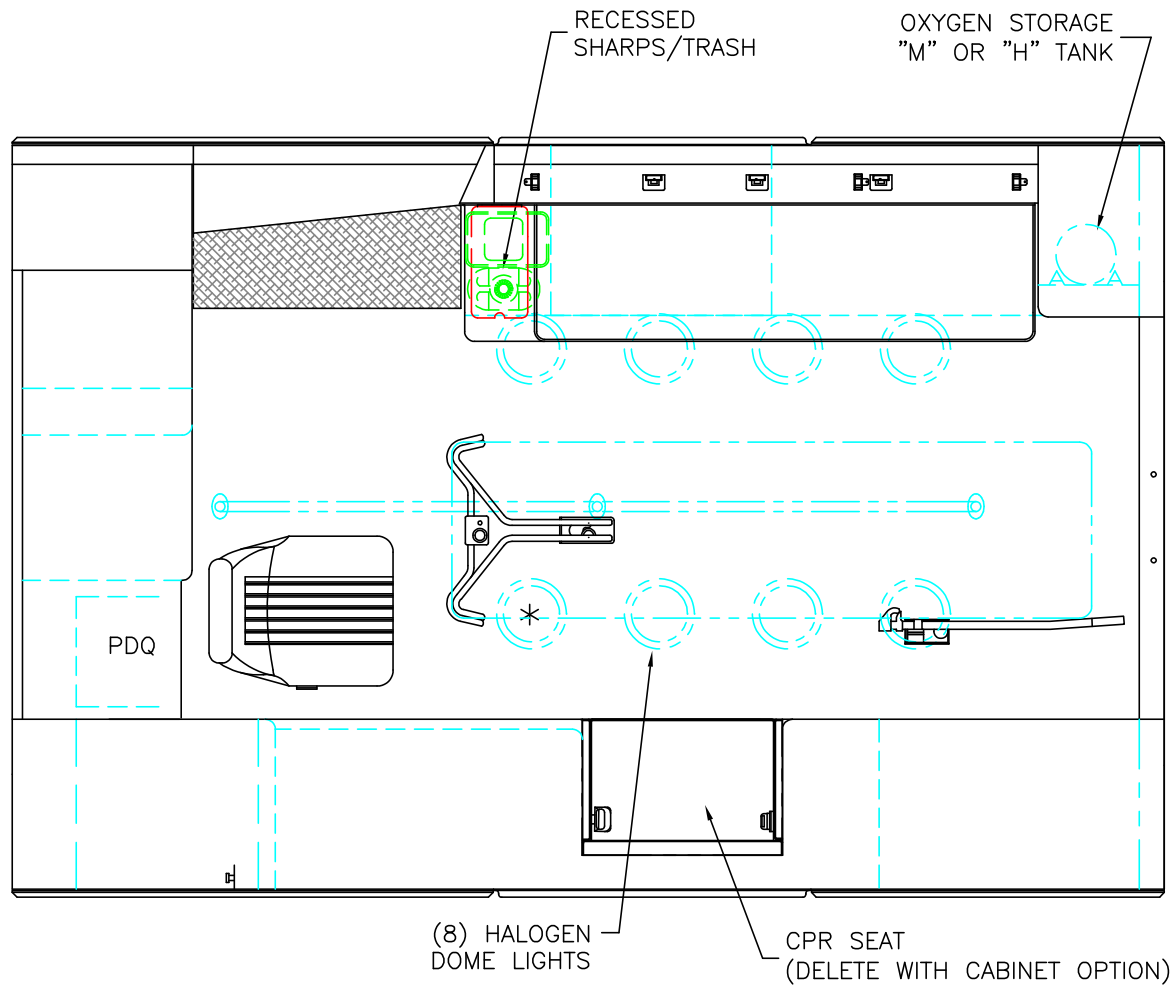


2012 REAR INTERIOR VIEW
EXPRESS-I

1:13

DATE:	25 JUNE 11
DWG.	GLF
REV.	NR

DRAWING NO.	EXD3500-8
-------------	-----------



* ONE (1) ANTENNA BASE LOCATED OUTBOARD OF DOME LIGHT WITH COAX SERVICE LOOP

STRYKER CENTER MOUNT COT HARDWARE

HEAD ROOM = 68"
 OVERALL WIDTH WITH RUB
 RAILS & FENDERETTES = 95"
 MODULE LENGTH = 144"

THIS DRAWING IS FOR REPRESENTATIONAL PURPOSES ONLY. DETAILS ARE CONCEPTUAL AND ARE SUBJECT TO CHANGE DURING DESIGN AND CONSTRUCTION DIMENSIONS ARE APPROXIMATE UNLESS NOTED OTHERWISE TO MEET A SPECIFIC CUSTOMER NEED.

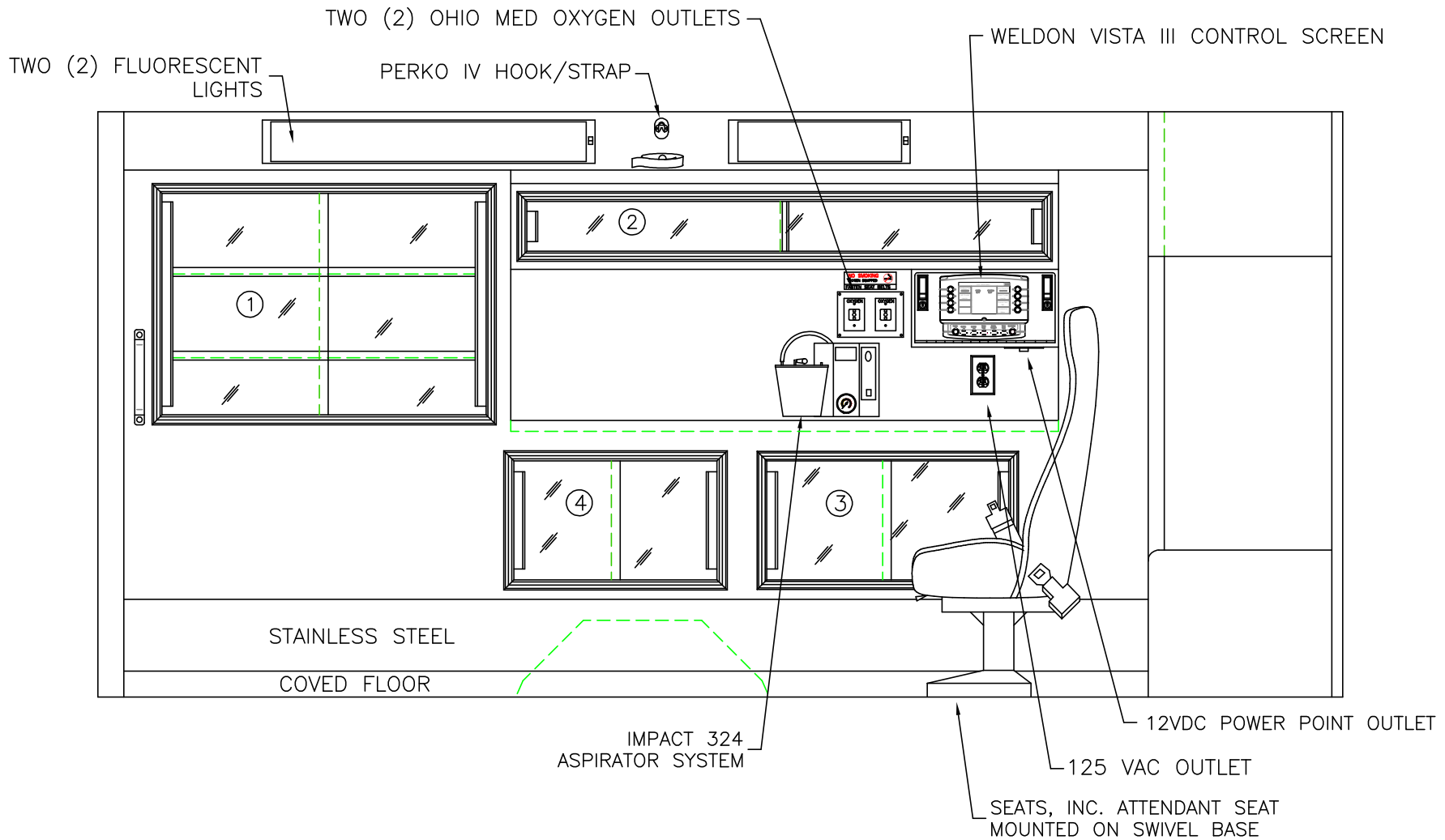


2012 FLOOR VIEW
 EXPRESS-I

1:24

DATE: 25 JUNE 11	
DWG. GLF	REV. NR

DRAWING NO.
 EXD3500-9



COMPARTMENT:

#1 DOOR OPENING: 25.50h x 37.50w
 INSIDE DIMS: 28.00h x 39.50w x 16.25d
 TWO (2) ADJUSTABLE SHELVES

#2 DOOR OPENING: 5.75h x 59.50w
 INSIDE DIMS: 9.50h x 62.00w x 15.00d
 FIXED CENTER DIVIDER

#3 DOOR OPENING: 13.75h x 28.00w
 INSIDE DIMS: 17.50h x 30.00w x 16.25d

#4 DOOR OPENING: 13.75h x 23.50w
 INSIDE DIMS: 17.50h x 25.50w x 16.25d

THIS DRAWING IS FOR REPRESENTATIONAL PURPOSES ONLY. DETAILS ARE CONCEPTUAL AND ARE SUBJECT TO CHANGE DURING DESIGN AND CONSTRUCTION DIMENSIONS ARE APPROXIMATE UNLESS NOTED OTHERWISE TO MEET A SPECIFIC CUSTOMER NEED.

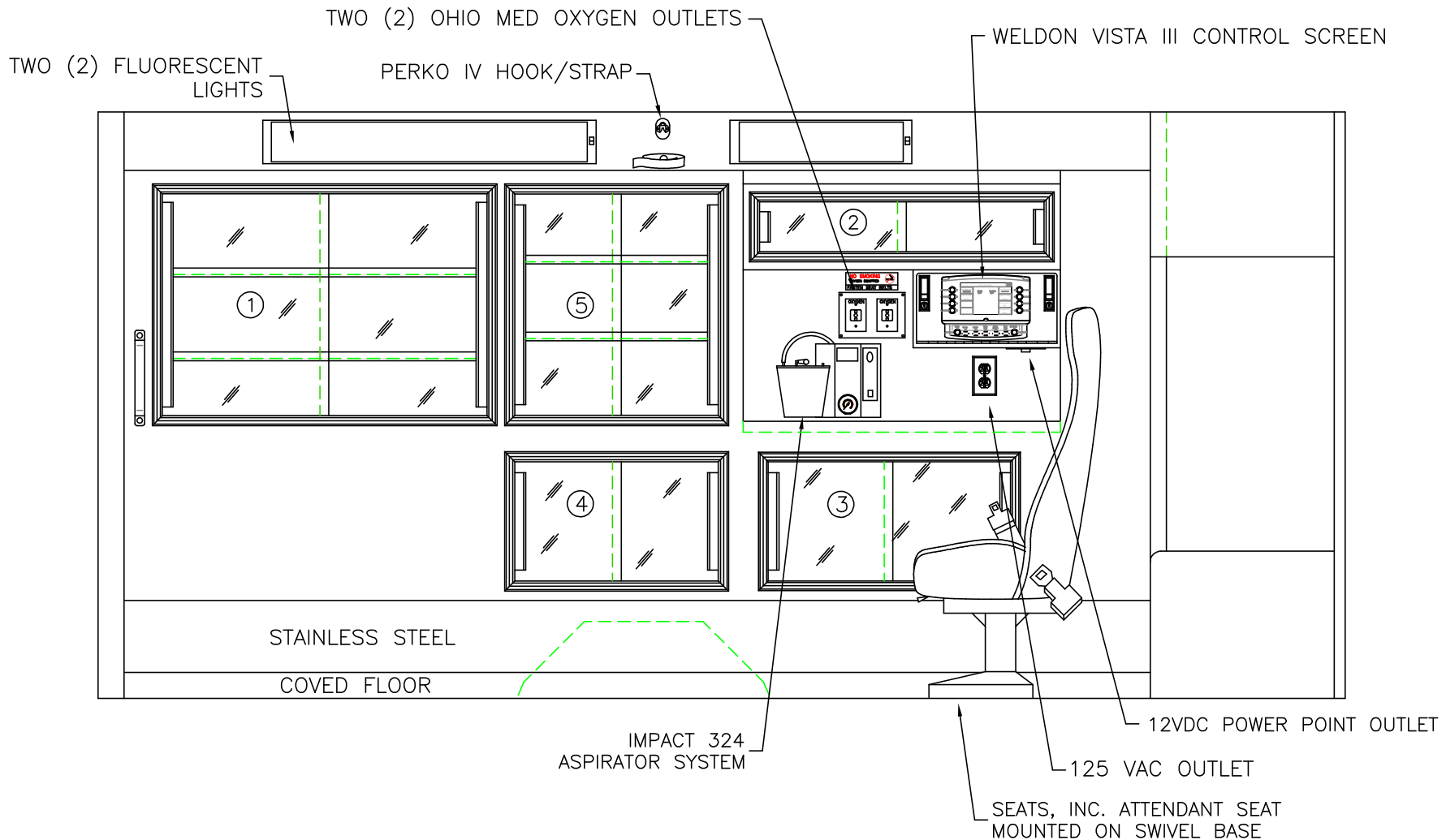


2012 STREETSIDE INTERIOR WITHOUT CPR SEAT
 EXPRESS-I

1:18

DATE:	27 JUNE 11	
DWG.	GLF	REV. NR

DRAWING NO.
 EXD3500-10



COMPARTMENT:

#1 DOOR OPENING: 25.50h x 37.50w
 INSIDE DIMS: 28.00h x 39.50w x 16.25d
 TWO (2) ADJUSTABLE SHELVES
 #2 DOOR OPENING: 5.75h x 32.75w
 INSIDE DIMS: 9.50h x 35.25w x 15.00d

#3 DOOR OPENING: 13.75h x 28.00w
 INSIDE DIMS: 17.50h x 30.00w x 16.25d
 #4 DOOR OPENING: 13.75h x 23.50w
 INSIDE DIMS: 17.50h x 25.50w x 16.25d
 #5 DOOR OPENING: 25.50h x 23.50w
 INSIDE DIMS: 28.00h x 25.50w x 16.25d
 TWO (2) ADJUSTABLE SHELVES

THIS DRAWING IS FOR REPRESENTATIONAL PURPOSES ONLY. DETAILS ARE CONCEPTUAL AND ARE SUBJECT TO CHANGE DURING DESIGN AND CONSTRUCTION DIMENSIONS ARE APPROXIMATE UNLESS NOTED OTHERWISE TO MEET A SPECIFIC CUSTOMER NEED.



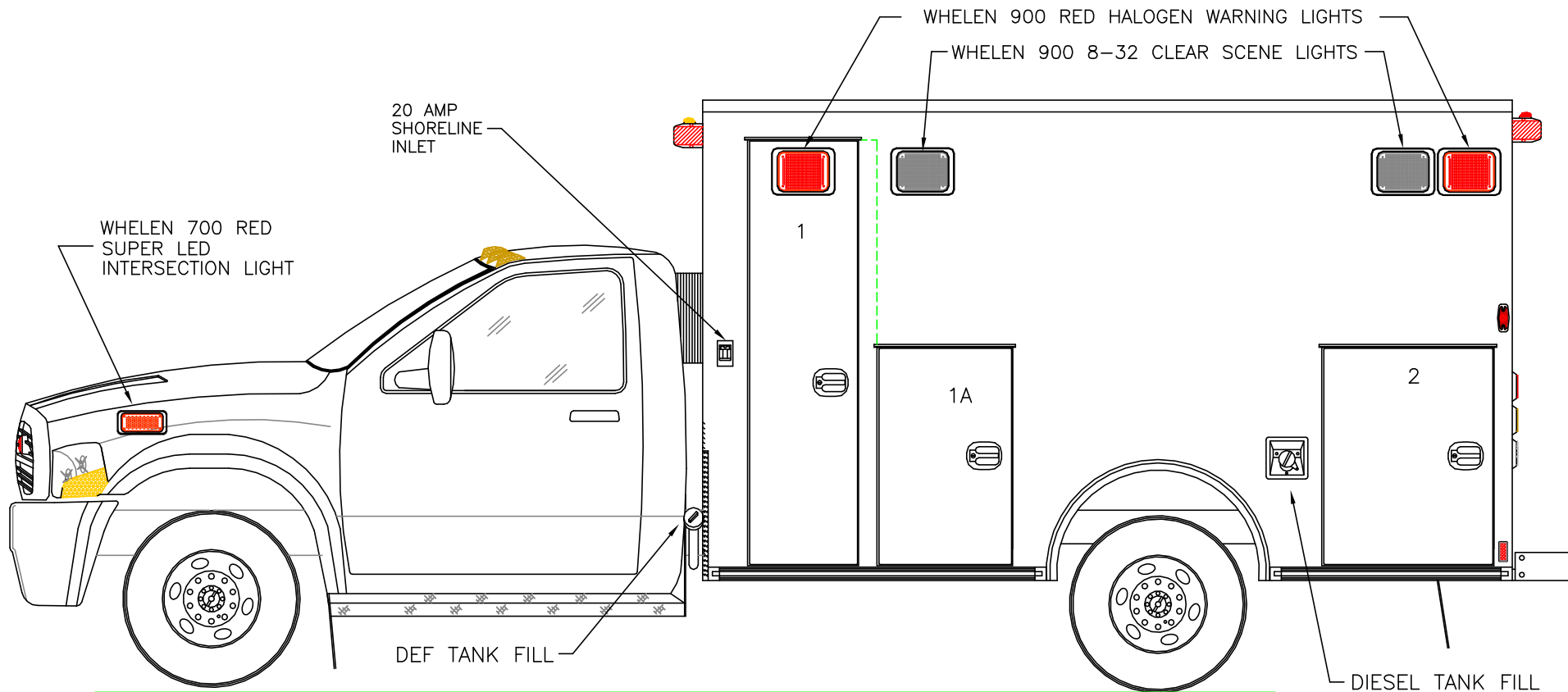
2012 STREETSIDE INTERIOR WITH FULL CABINETS
 EXPRESS-I

1:18

DATE:	27 JUNE 11	
DWG.	GLF	REV. NR

DRAWING NO.
 EXD3500-11

DIMENSIONS FOR OVERALL HEIGHT AND LENGTH ARE APPROXIMATE
 OVERALL HEIGHT = 104.50"
 OVERALL LENGTH = 281.5"
 MODULE LENGTH = 144"



COMPARTMENT

O.S.S #1

CLEAR OPENING: 73.25h x 16.00w
 INSIDE DIMS: 75.00h x 22.75w x 18.50d
 BACKBOARD/SCOOP STORAGE

O.S.S #1A

CLEAR OPENING: 37.25h x 19.00w
 INSIDE DIM'S.: 42.50h x 24.00w x 18.50d

O.S.S #2

CLEAR OPENING: 37.25h x 26.00w
 INSIDE DIM'S.: 42.50h x 32.25w x 18.50d

THIS DRAWING IS FOR REPRESENTATIONAL PURPOSES ONLY. DETAILS ARE CONCEPTUAL AND ARE SUBJECT TO CHANGE DURING DESIGN AND CONSTRUCTION
 DIMENSIONS ARE APPROXIMATE UNLESS NOTED OTHERWISE TO MEET A SPECIFIC CUSTOMER NEED.



2012 STREETSIDE VIEW WITH OPTIONAL #1A COMPARTMENT

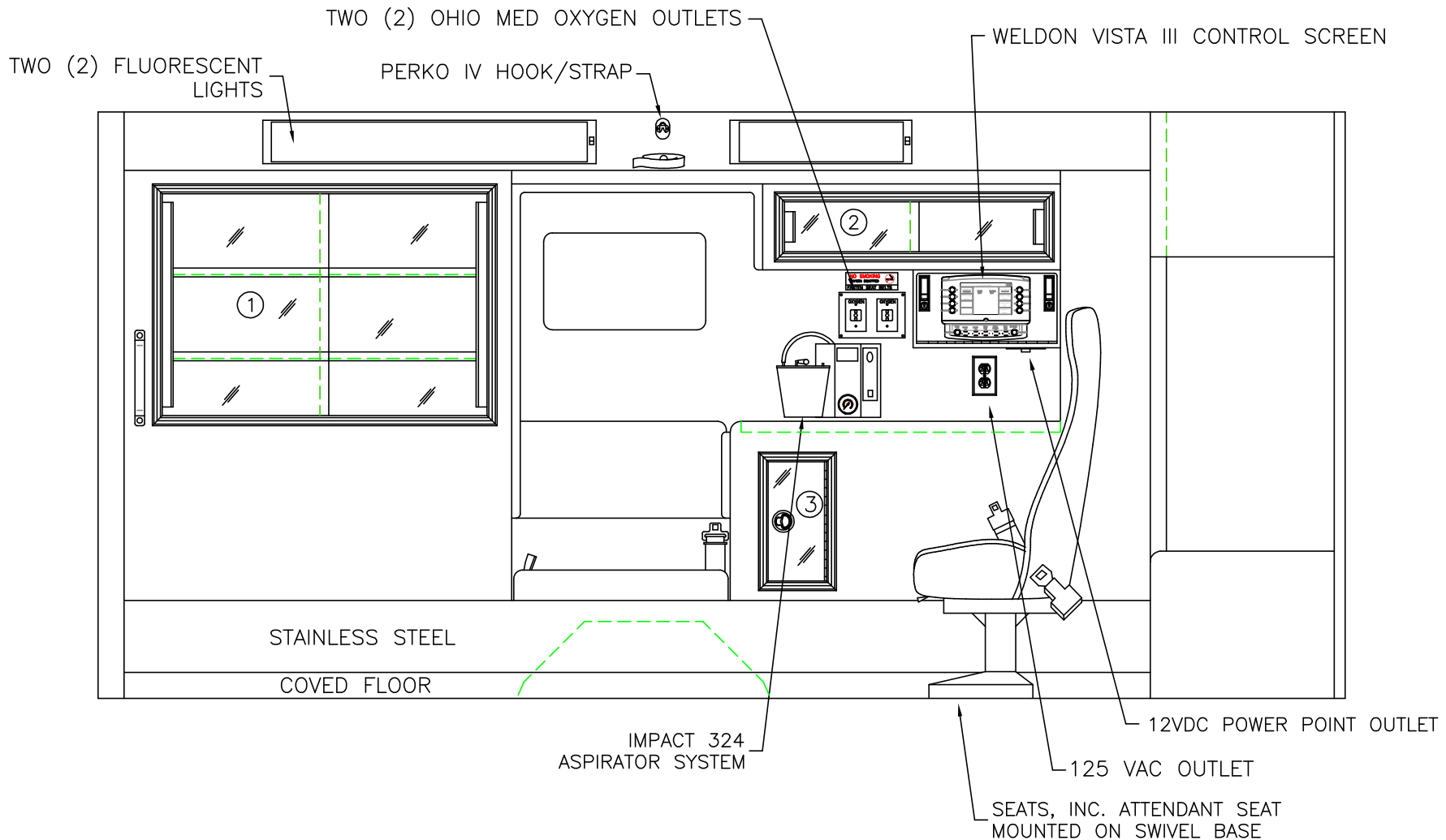
EXPRESS-I / DODGE D3500 CHASSIS

DATE:	24 JUNE 11
DWG.:	GLF
REV.:	NR

DRAWING NO.

EXD3500-12

1:28



COMPARTMENT:

- #1 DOOR OPENING: 25.50h x 37.50w
INSIDE DIMS: 28.00h x 39.50w x 16.25d
TWO (2) ADJUSTABLE SHELVES
- #2 DOOR OPENING: 5.75h x 30.00w
INSIDE DIMS: 9.50h x 32.50w x 15.00d

- #3 DOOR OPENING: 13.75h x 6.75w
INSIDE DIMS: 15.50h x 8.50w x 16.25d
HINGED ACRYLIC DOOR WITH FLUSH PULL LATCH

NOTE: CABINET #3 CHANGE ALSO APPLIES TO #10, #11
CABINET LAYOUTS IN PLACE OF CPR SEAT

THIS DRAWING IS FOR REPRESENTATIONAL PURPOSES ONLY. DETAILS ARE CONCEPTUAL AND ARE SUBJECT TO CHANGE DURING DESIGN AND CONSTRUCTION
DIMENSIONS ARE APPROXIMATE UNLESS NOTED OTHERWISE TO MEET A SPECIFIC CUSTOMER NEED.



2012 STREETSIDE INTERIOR VIEW SHOWING #3
CABINET CHANGE WHEN ADDING OUTSIDE STORAGE #1A

1:18

DATE: 27 JUNE 11	
DWG. GLF	REV. NR

DRAWING NO.
EXD3500-13