

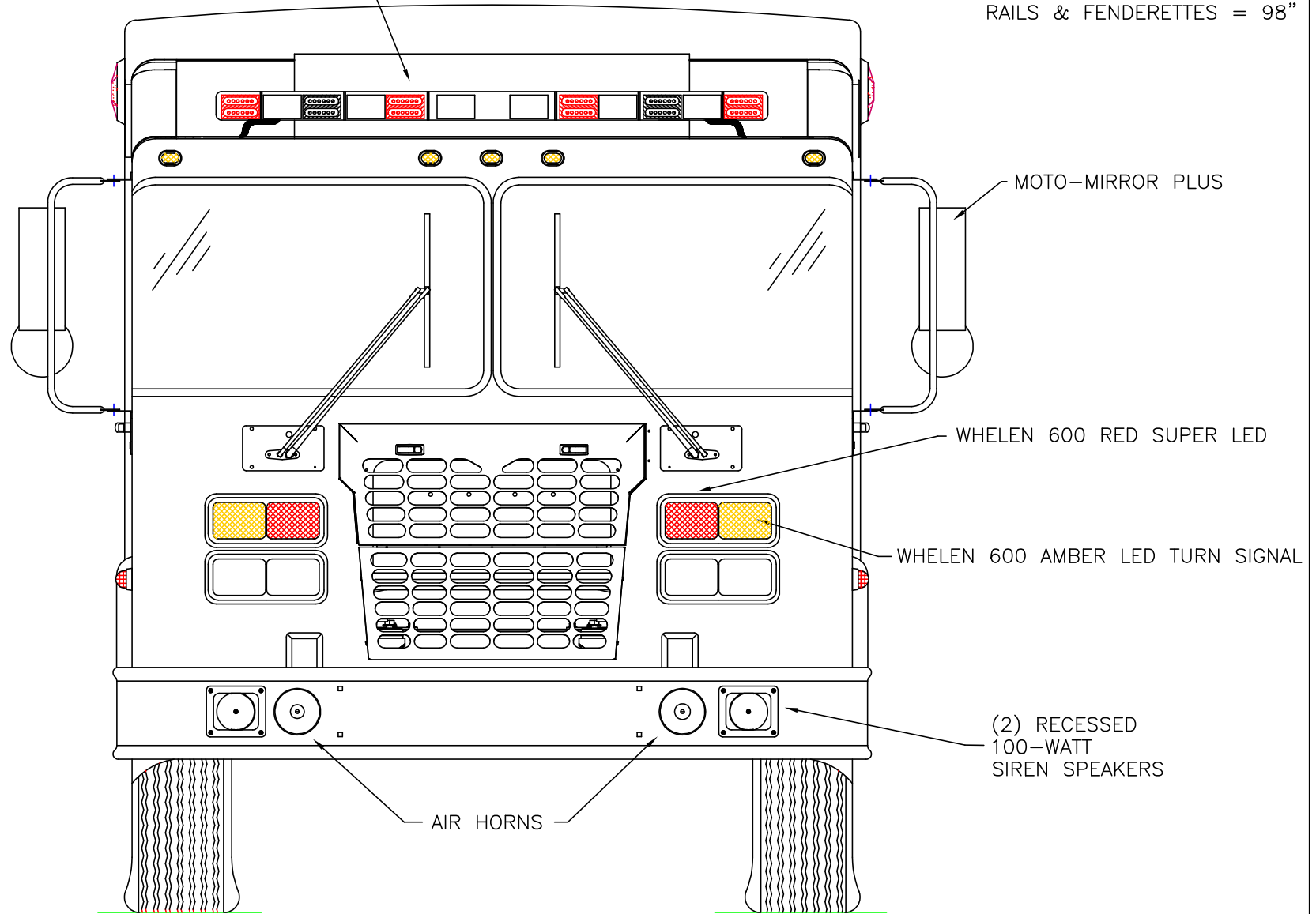
DIMENSIONS FOR OVERALL HEIGHT AND LENGTH ARE APPROXIMATE

OVERALL HEIGHT = 118.5"

OVERALL WIDTH WITH RUB

RAILS & FENDERETTES = 98"

WHELEN FN72QLED EDGE ULTRA FREEDOM LIGHT BAR



(2) RECESSED  
100-WATT  
SIREN SPEAKERS

AIR HORNS

WHELEN 600 RED SUPER LED

THIS DRAWING IS FOR REPRESENTATIONAL PURPOSES ONLY. DETAILS ARE CONCEPTUAL AND ARE SUBJECT TO CHANGE DURING DESIGN AND CONSTRUCTION  
DIMENSIONS ARE APPROXIMATE UNLESS NOTED OTHERWISE TO MEET A SPECIFIC CUSTOMER NEED.



2012 FRONT EXTERIOR VIEW  
PATRIOT- SPARTAN METROSTAR MFD 10" ROOF CHASSIS 1:18

DATE:	11 AUG 11
DWG.	REV.
GLF	NR

DRAWING NO.  
PATRIOT-1

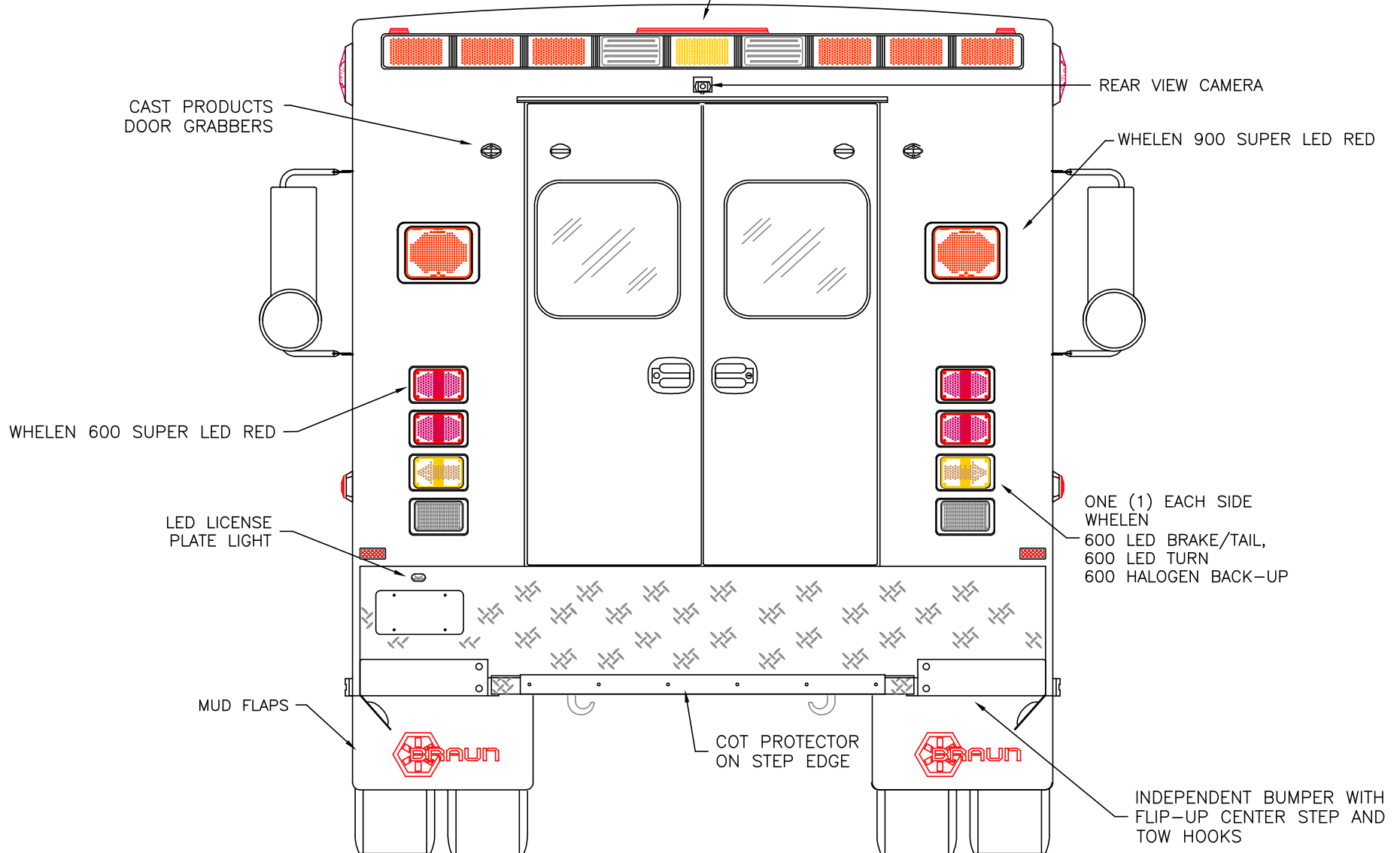
DIMENSIONS FOR OVERALL HEIGHT AND LENGTH ARE APPROXIMATE

OVERALL HEIGHT = 118.5"

OVERALL WIDTH WITH RUB

RAILS & FENDERETTES = 98"

WHELEN 4500 SERIES REAR LIGHT BAR W/BRAKE  
700 SERIES LED LIGHTS WITH 700 SERIES HALOGEN LOAD LIGHTS  
RED/RED/RED/LOAD/AMBER/LOAD/RED/RED/RED



THIS DRAWING IS FOR REPRESENTATIONAL PURPOSES ONLY. DETAILS ARE CONCEPTUAL AND ARE SUBJECT TO CHANGE DURING DESIGN AND CONSTRUCTION  
DIMENSIONS ARE APPROXIMATE UNLESS NOTED OTHERWISE TO MEET A SPECIFIC CUSTOMER NEED.



2012 REAR EXTERIOR VIEW  
PATRIOT

1:18

DATE:	11 AUG 11	
DWG.	GLF	REV. NR

DRAWING NO.	PATRIOT-2
-------------	-----------

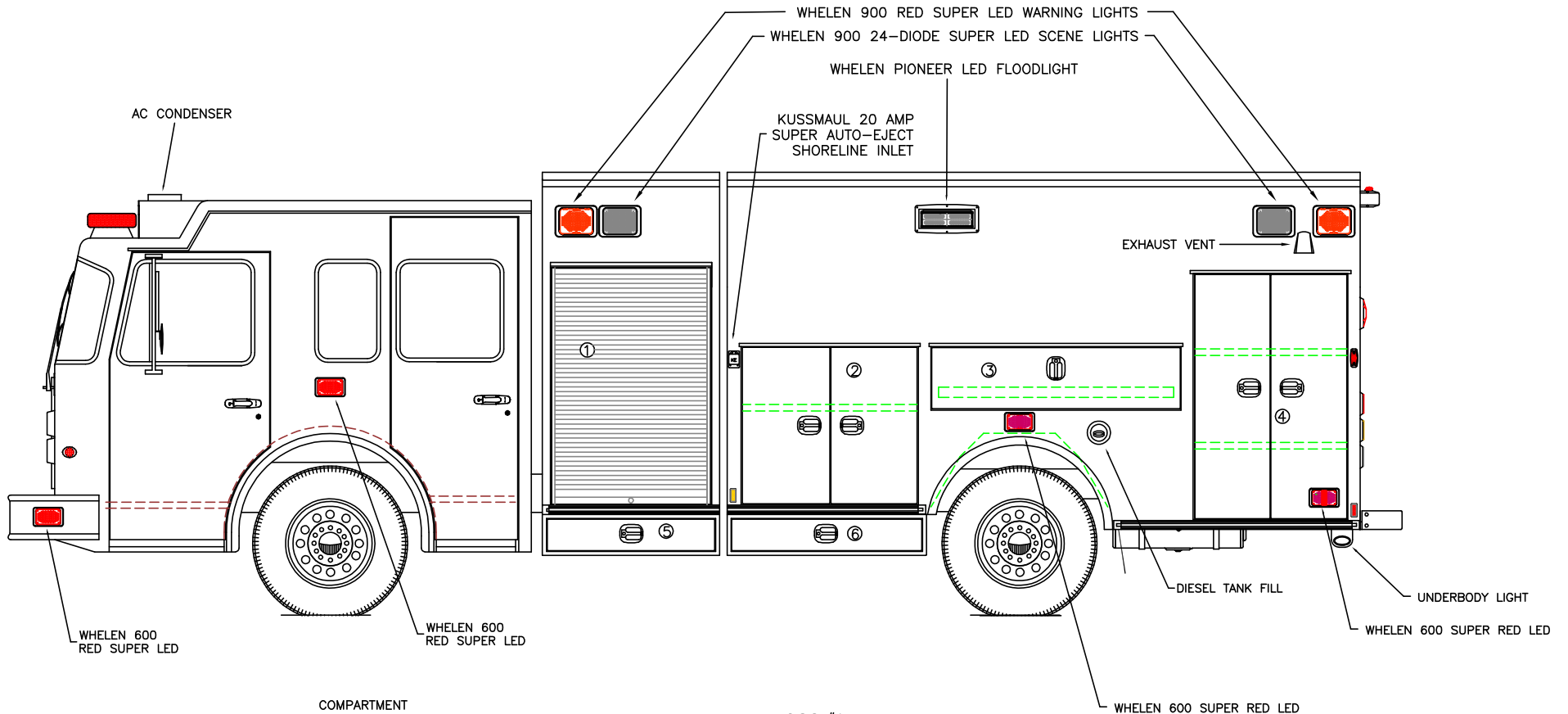
DIMENSIONS FOR OVERALL HEIGHT AND LENGTH ARE APPROXIMATE

OVERALL HEIGHT = 118.5"

OVERALL LENGTH = 374.25" APPROX.

EQUIPMENT MODULE LENGTH = 48"

PATIENT MODULE LENGTH = 170"



COMPARTMENT

O.S.S #1 ROLL-UP LOCKING DOOR  
 CLEAR OPENING: 54.00h x 40.75w  
 INSIDE DIM'S.: 72.00h x 42.75w x FULL DEPTH  
 TRANSVERSE COMPARTMENT THRU #9 CURBSIDE

O.S.S #2  
 CLEAR OPENING: 33.50h x 42.13w  
 INSIDE DIM'S.: 41.25h x 47.63w x 22.25d  
 (1) ADJUSTABLE SHELF

O.S.S #3  
 CLEAR OPENING: 14.25h x 63.00w  
 INSIDE DIM'S.: 19.50h x 66.113w x 22.25d  
 (1) SLIDE-OUT TRAY

O.S.S #4  
 CLEAR OPENING: 63.50h x 35.75w  
 INSIDE DIM'S.: 65.25h x 41.50w x 22.25d  
 INSIDE/OUTSIDE ACCESS  
 (2) ADJUSTABLE SHELVES

O.S.S #5  
 SLIDE-OUT DRAWER (DIAMOND PLATE)  
 INSIDE DIM'S.: 6.00h x 40.50w x 16.00d

O.S.S #6  
 SLIDE-OUT DRAWER (DIAMOND PLATE)  
 INSIDE DIM'S.: 6.00h x 46.50w x 16.00d

THIS DRAWING IS FOR REPRESENTATIONAL PURPOSES ONLY. DETAILS ARE CONCEPTUAL AND ARE SUBJECT TO CHANGE DURING DESIGN AND CONSTRUCTION  
 DIMENSIONS ARE APPROXIMATE UNLESS NOTED OTHERWISE TO MEET A SPECIFIC CUSTOMER NEED.



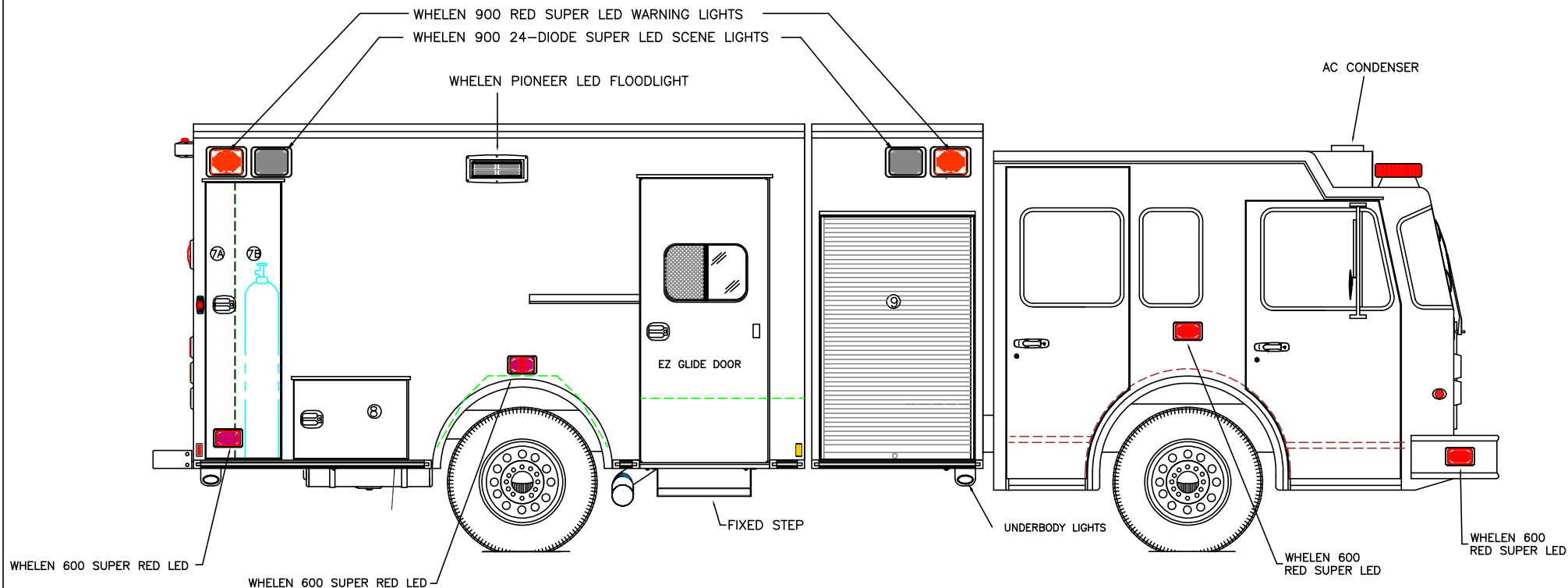
2012 STREETSIDE EXTERIOR VIEW  
 PATRIOT-SPARTAN METROSTAR MFD 10" ROOF CHASSIS

1:30

DATE:	11 AUG 11	
DWG.	GLF	REV NR

DRAWING NO.  
 PATRIOT-3

DIMENSIONS FOR OVERALL HEIGHT AND LENGTH ARE APPROXIMATE  
 OVERALL HEIGHT = 118.5"  
 OVERALL LENGTH = 374.25" APPROX.  
 EQUIPMENT MODULE LENGTH = 48"  
 PATIENT MODULE LENGTH = 170"



COMPARTMENT  
 O.S.S #7  
 CLEAR OPENING: 74.50h x 19.00w  
 INSIDE DIM'S: 7A: 76.50h x 12.00w x 21.50d  
 BACKBOARD/SCOOP STORAGE  
 INSIDE DIM'S: 7B: 76.50h x 13.50w x 13.00d  
 OXYGEN CYLINDER STORAGE  
 O.S.S #8  
 CLEAR OPENING: 20.00h x 29.25w  
 INSIDE DIM'S: 22.00h x 32.00w x 21.50d

O.S.S #9 ROLL-UP LOCKING DOOR  
 CLEAR OPENING: 59.00h x 40.75w  
 INSIDE DIM'S.: 72.00h x 42.75w x FULL DEPTH  
 TRANSVERSE COMPARTMENT THRU #1 STREETSIDE

THIS DRAWING IS FOR REPRESENTATIONAL PURPOSES ONLY. DETAILS ARE CONCEPTUAL AND ARE SUBJECT TO CHANGE DURING DESIGN AND CONSTRUCTION  
 DIMENSIONS ARE APPROXIMATE UNLESS NOTED OTHERWISE TO MEET A SPECIFIC CUSTOMER NEED.

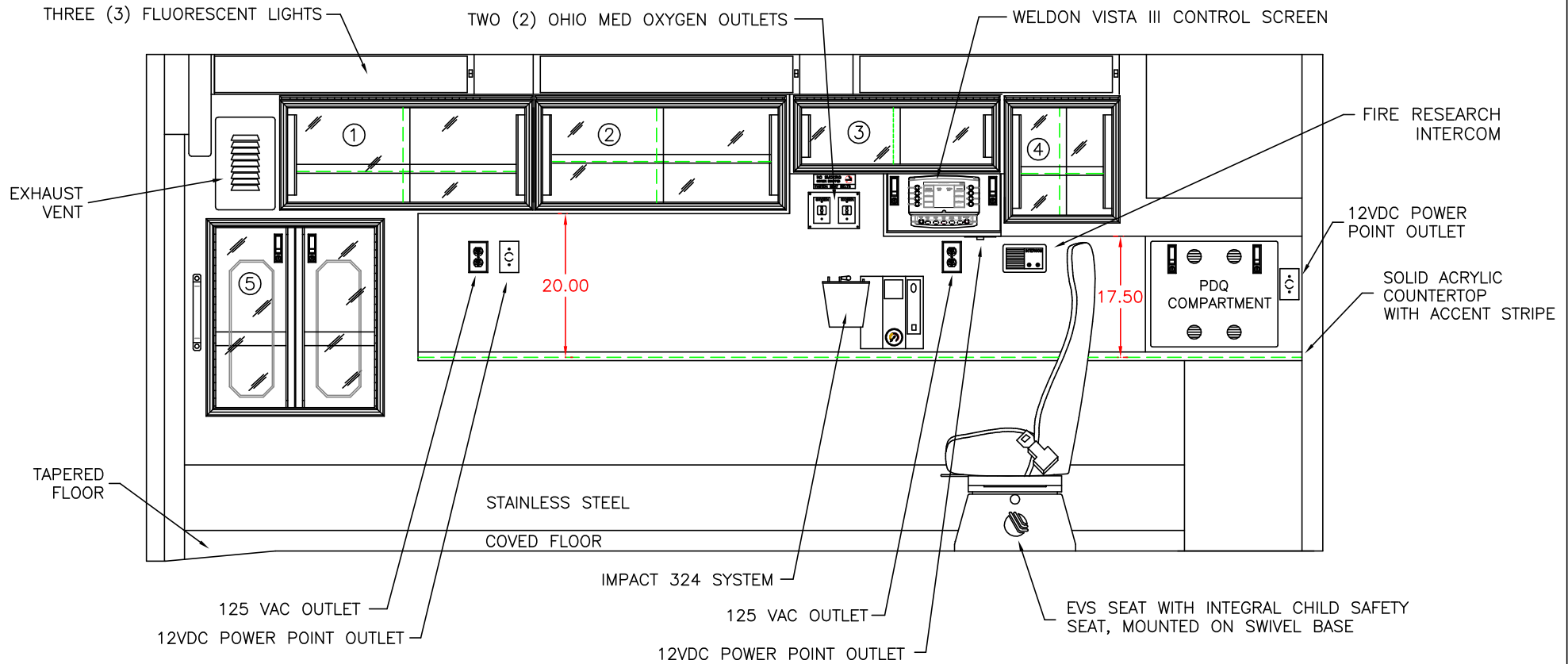


2012 CURBSIDE EXTERIOR VIEW  
 PATRIOT-SPARTAN METROSTAR MFD 10" ROOF CHASSIS

DATE: 11 AUG 11	DRAWING NO.	
DWG. GLF	REV. NR	PATRIOT-4

1:30

COMPARTMENTS: #1, #2, #3, AND #4 HAVE RESTOCKING FRAMES



COMPARTMENT

#1, #2 DOOR OPENINGS: 13.50h x 34.00w  
 INSIDE DIMS: 16.00h x 36.00w x 19.50d  
 ONE (1) ADJUSTABLE SHELF IN EACH CABINET

#3 DOOR OPENING: 7.75h x 27.50w  
 INSIDE DIMS: 10.25h x 29.50w x 19.50d

#4 DOOR OPENING: 15.50h x 14.25w  
 INSIDE DIMS: 19.00h x 16.25w x 19.50d  
 ONE (1) ADJUSTABLE SHELF

#5 DOOR OPENING: 26.25h x 23.50w

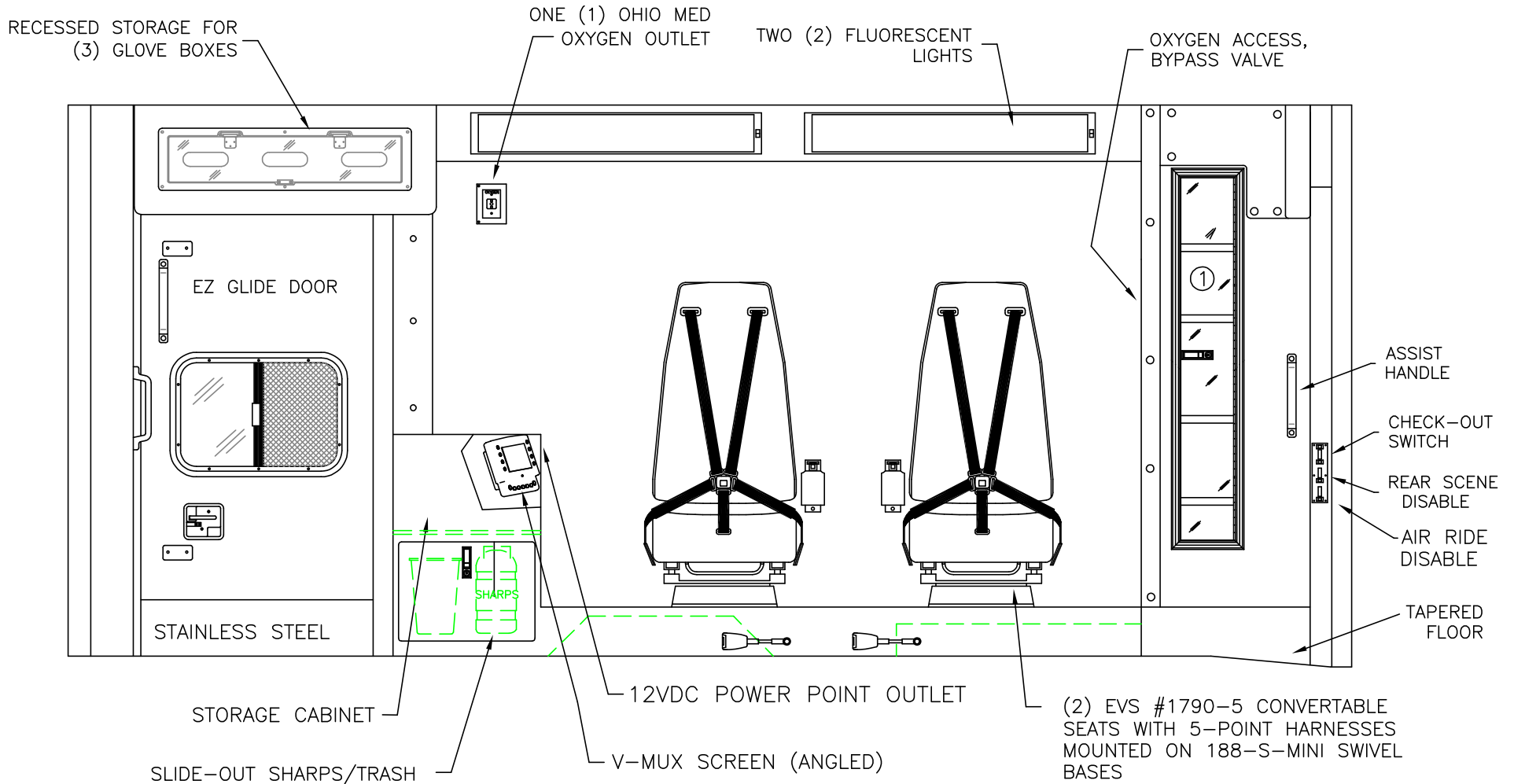
INSIDE DIMS: O.S.S. #3  
 RECESSED .375" ACRYLIC DOORS WITH FULL LENGTH HANDLES  
 TWO (2) LOCKING LEVER LATCHES

THIS DRAWING IS FOR REPRESENTATIONAL PURPOSES ONLY. DETAILS ARE CONCEPTUAL AND ARE SUBJECT TO CHANGE DURING DESIGN AND CONSTRUCTION  
 DIMENSIONS ARE APPROXIMATE UNLESS NOTED OTHERWISE TO MEET A SPECIFIC CUSTOMER NEED.



2012 STREETSIDE INTERIOR VIEW  
 PATRIOT

DATE:	07 JULY 11	DRAWING NO.	PATRIOT-5	
DWG.	GLF	REV.		NR
1:22				



COMPARTMENT

- #1 DOOR OPENING: 48.00h x 7.25w
- INSIDE DIMS: 50.00h x 13.25w x 7.50d
- RECESSED .375" ACRYLIC DOOR
- ONE (1) LOCKING LEVER LATCH
- FOUR (4) ADJUSTABLE SHELVES

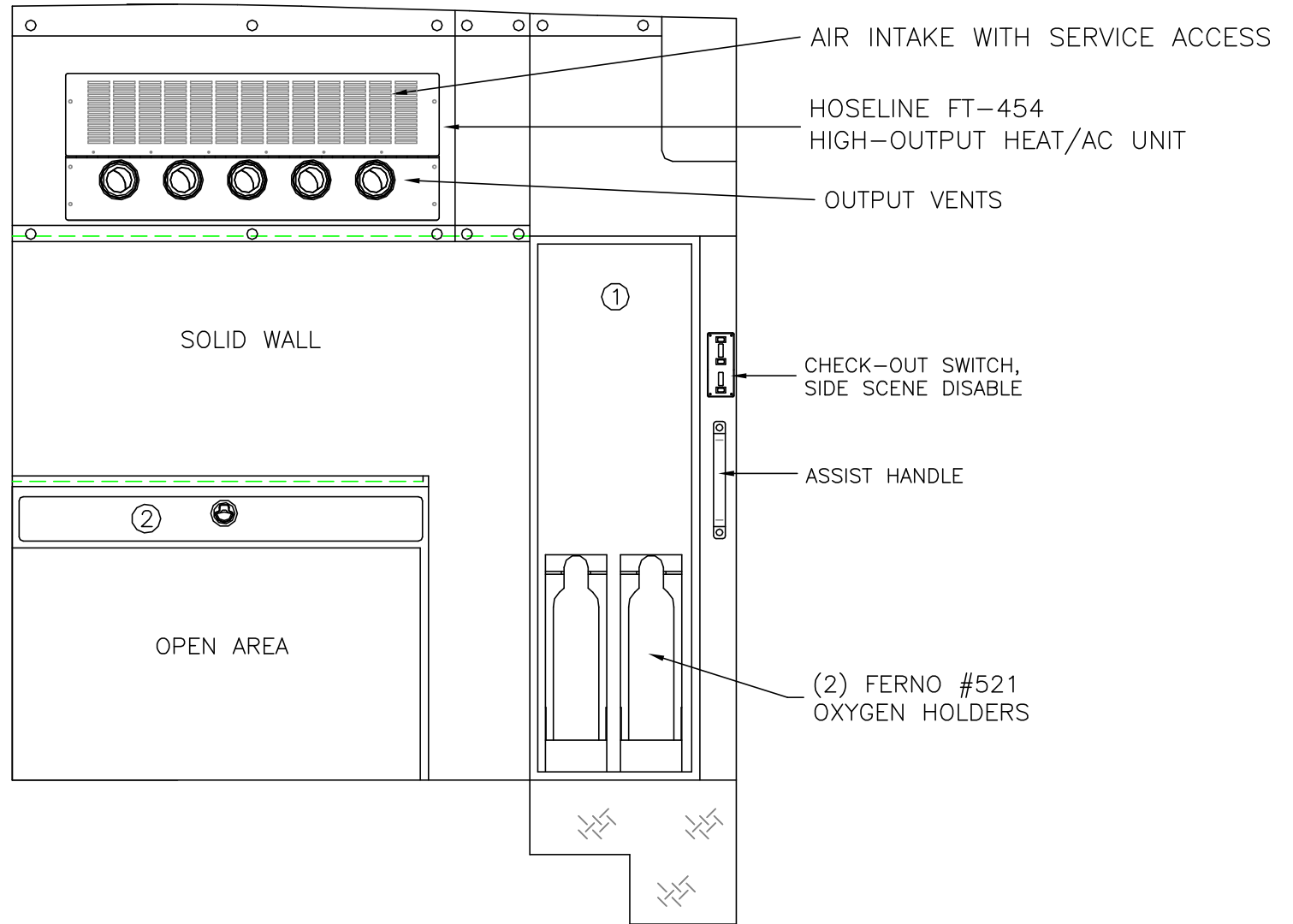
THIS DRAWING IS FOR REPRESENTATIONAL PURPOSES ONLY. DETAILS ARE CONCEPTUAL AND ARE SUBJECT TO CHANGE DURING DESIGN AND CONSTRUCTION DIMENSIONS ARE APPROXIMATE UNLESS NOTED OTHERWISE TO MEET A SPECIFIC CUSTOMER NEED.



2012 CURBSIDE INTERIOR VIEW  
PATRIOT

DATE: 11 AUG 11		DRAWING NO.  PATRIOT-6
DWG. GLF	REV. NR	

1:20



COMPARTMENT

#1 OPEN STORAGE: 49.50h x 14.25w  
 INSIDE DIMS: 49.50h x 14.25w x 6.00d  
 TWO(2) #521 FW OXYGEN CYLINDER STORAGE

#2 SLIDE -OUT DRAWER  
 INSIDE DIMS: 3.00h x 35.00w x 14.00d  
 FLUSH PULL LATCH

THIS DRAWING IS FOR REPRESENTATIONAL PURPOSES ONLY. DETAILS ARE CONCEPTUAL AND ARE SUBJECT TO CHANGE DURING DESIGN AND CONSTRUCTION  
 DIMENSIONS ARE APPROXIMATE UNLESS NOTED OTHERWISE TO MEET A SPECIFIC CUSTOMER NEED.



2012 PARTITION INTERIOR VIEW  
 PATRIOT

DATE: 07 JULY 11		DRAWING NO.	
DWG. GLF	REV. NR	PATRIOT-7	
1:14			

BATTERY POWERED CLOCK

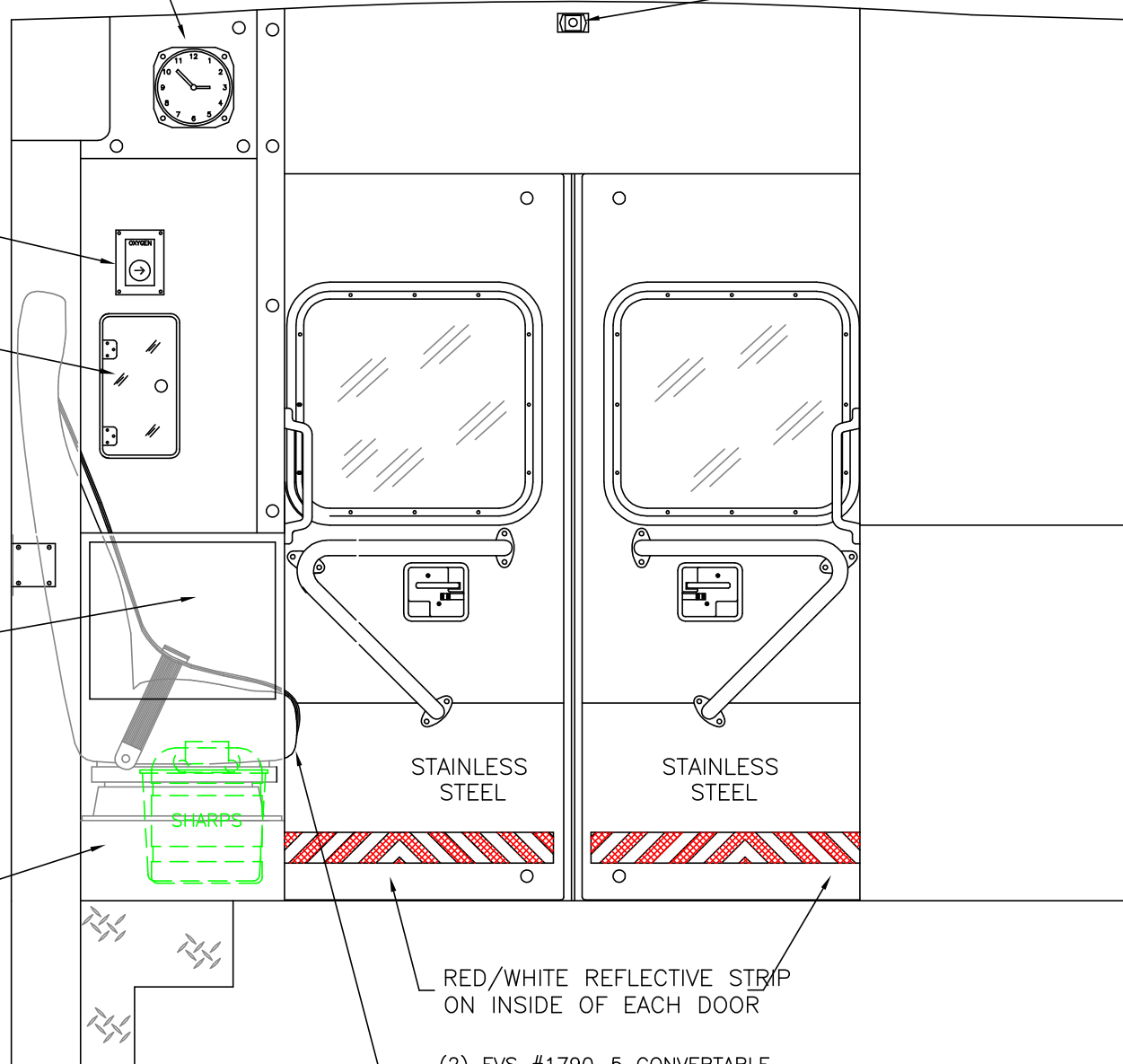
PATIENT MONITORING CAMERA

OXYGEN BYPASS

OXYGEN ACCESS

OPEN STORAGE CABINET

SLIDE-OUT SHARPS/TRASH



STAINLESS STEEL

STAINLESS STEEL

RED/WHITE REFLECTIVE STRIP ON INSIDE OF EACH DOOR

(2) EVS #1790-5 CONVERTABLE SEATS WITH 5-POINT HARNESSSES MOUNTED ON 188-S-MINI SWIVEL BASES

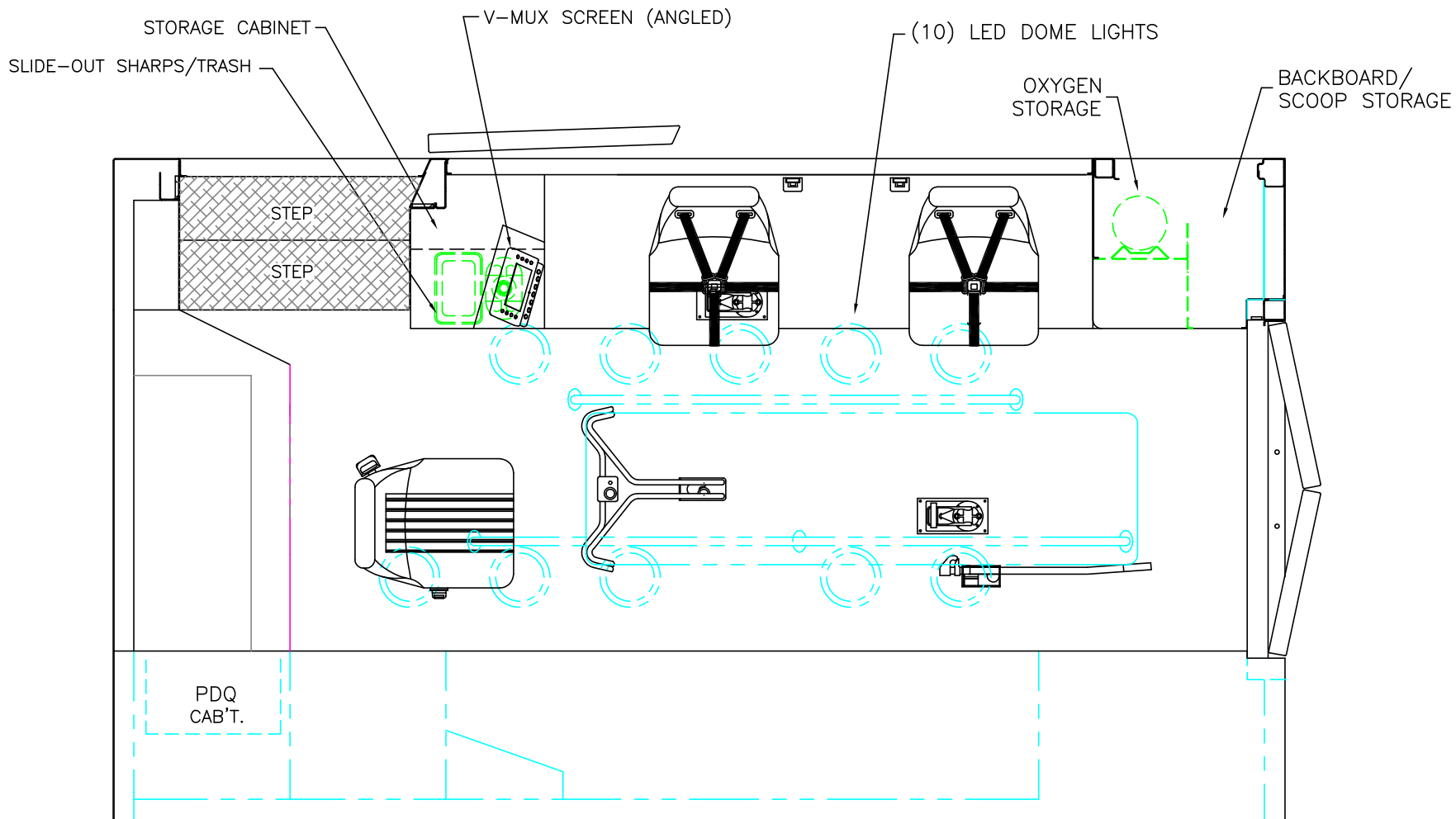
THIS DRAWING IS FOR REPRESENTATIONAL PURPOSES ONLY. DETAILS ARE CONCEPTUAL AND ARE SUBJECT TO CHANGE DURING DESIGN AND CONSTRUCTION DIMENSIONS ARE APPROXIMATE UNLESS NOTED OTHERWISE TO MEET A SPECIFIC CUSTOMER NEED.

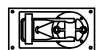


2012 REAR INTERIOR VIEW  
PATRIOT

DATE:		DRAWING NO.	
07 JULY 11		PATRIOT-8	
DWG.	REV.		
GLF	NR		

1:14



 TWO (2) RECESSED CEILING IV HANGER LOCATIONS  
 STRYKER CENTER MOUNT COT HARDWARE

MODULE WIDTH = 96"  
 MODULE LENGTH = 170"  
 MODULE HEAD ROOM = 73.5"

THIS DRAWING IS FOR REPRESENTATIONAL PURPOSES ONLY. DETAILS ARE CONCEPTUAL AND ARE SUBJECT TO CHANGE DURING DESIGN AND CONSTRUCTION DIMENSIONS ARE APPROXIMATE UNLESS NOTED OTHERWISE TO MEET A SPECIFIC CUSTOMER NEED.



2012 MAIN MODULE FLOOR INTERIOR VIEW  
PATRIOT

DATE: 07 JULY 11		DRAWING NO.	
DWG. GLF	REV. NR	PATRIOT-9	

1:23