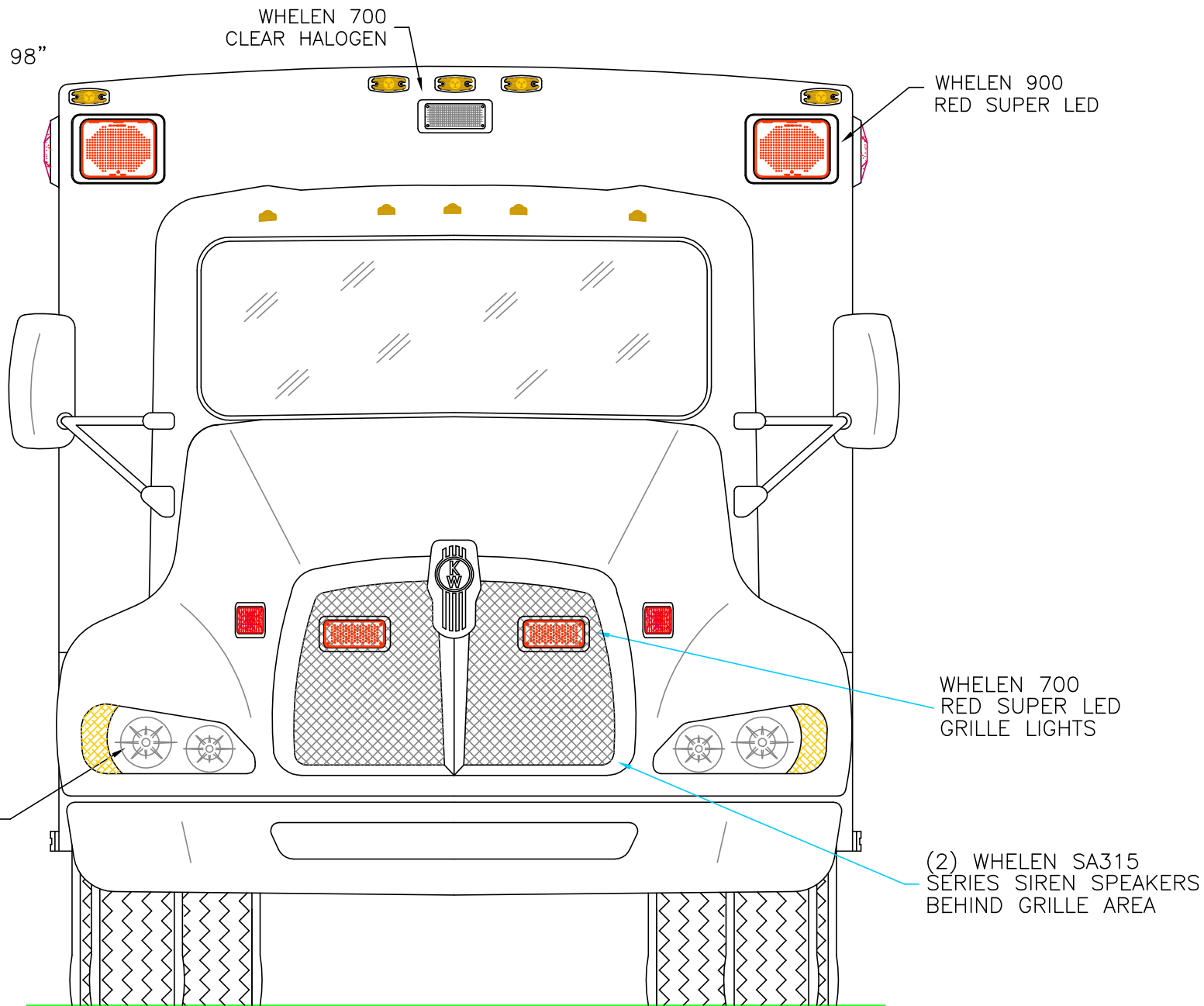


DIMENSIONS FOR OVERALL HEIGHT AND LENGTH ARE APPROXIMATE  
 OVERALL HEIGHT = 114.5"  
 OVERALL WIDTH WITH RUB  
 RAILS & FENDERETTES = 98"



FLASHING HEADLIGHTS W/  
 DAYTIME RUNNING LIGHTS

WHELEN 900  
 RED SUPER LED

WHELEN 700  
 RED SUPER LED  
 GRILLE LIGHTS

(2) WHELEN SA315  
 SERIES SIREN SPEAKERS  
 BEHIND GRILLE AREA

THIS DRAWING IS FOR REPRESENTATIONAL PURPOSES ONLY. DETAILS ARE CONCEPTUAL AND ARE SUBJECT TO CHANGE DURING DESIGN AND CONSTRUCTION  
 DIMENSIONS ARE APPROXIMATE UNLESS NOTED OTHERWISE TO MEET A SPECIFIC CUSTOMER NEED.



2012 FRONT EXTERIOR VIEW  
 SUPER CHIEF-I/KENWORTH T270 CHASSIS

1:18

DATE:	07 JULY 11
DWG.	REV.
GLF	NR

DRAWING NO.  
 SCKEN-1

DIMENSIONS FOR OVERALL HEIGHT AND LENGTH ARE APPROXIMATE  
 OVERALL HEIGHT = 114.5"  
 OVERALL WIDTH WITH RUB  
 RAILS & FENDERETTES = 98"  
 LOAD HEIGHT = 33"

CAST PRODUCTS  
 DOOR GRABBERS

LED LICENSE  
 PLATE LIGHT

MUD FLAPS

COT PROTECTOR  
 ON STEP EDGE

(2) WHELEN 900  
 RED SUPER LED

ONE (1) EACH SIDE  
 WHELEN  
 600 LED BRAKE/TAIL,  
 600 LED TURN  
 600 HALOGEN BACK-UP

INDEPENDENT BUMPER WITH  
 FLIP-UP CENTER STEP AND  
 TOW HOOKS

THIS DRAWING IS FOR REPRESENTATIONAL PURPOSES ONLY. DETAILS ARE CONCEPTUAL AND ARE SUBJECT TO CHANGE DURING DESIGN AND CONSTRUCTION  
 DIMENSIONS ARE APPROXIMATE UNLESS NOTED OTHERWISE TO MEET A SPECIFIC CUSTOMER NEED.



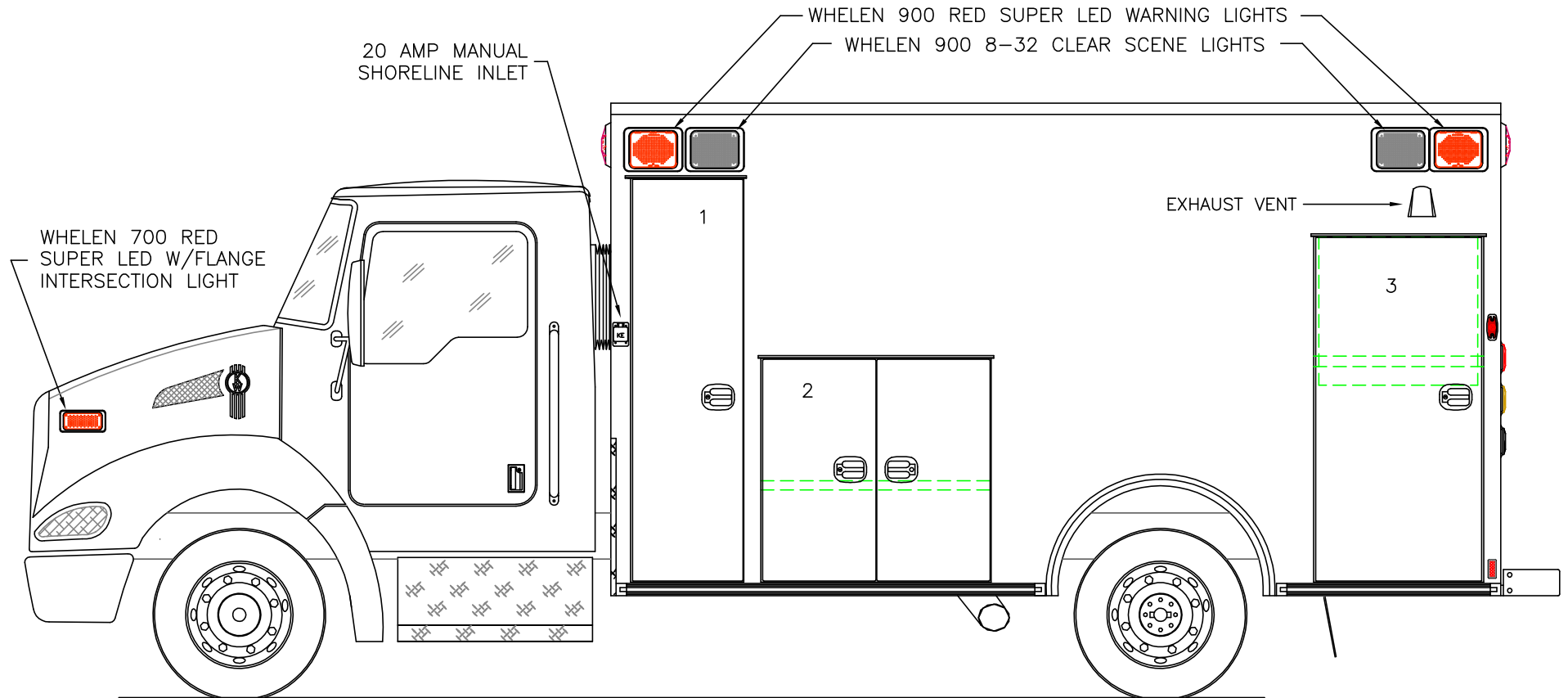
2012 REAR EXTERIOR VIEW  
 SUPER CHIEF-1/KENWORTH T270 CHASSIS

1:18

DATE:	07 JULY 11	
DWG.	GLF	REV.
		NR

DRAWING NO.	SCKEN-2
-------------	---------

DIMENSIONS FOR OVERALL HEIGHT AND LENGTH ARE APPROXIMATE  
 OVERALL HEIGHT = 114.5"  
 OVERALL LENGTH = 293.5"  
 MODULE LENGTH = 170"  
 CAB-TO-AXLE = 108"



COMPARTMENT

O.S.S #1

CLEAR OPENING: 75.50h x 17.75w  
 INSIDE DIM'S.: 76.50h x 21.75w x 21.75d

O.S.S #2

CLEAR OPENING: 41.25h x 38.25w  
 INSIDE DIM'S.: 44.50h x 43.75w x 21.75d  
 ONE (1) ADJUSTABLE SHELF

O.S.S #3

CLEAR OPENING: 63.50h x 29.50w  
 INSIDE DIM'S.: 65.25h x 32.75w x 21.75d  
 INSIDE/OUTSIDE ACCESS  
 ONE (1) ADJUSTABLE SHELF

THIS DRAWING IS FOR REPRESENTATIONAL PURPOSES ONLY. DETAILS ARE CONCEPTUAL AND ARE SUBJECT TO CHANGE DURING DESIGN AND CONSTRUCTION  
 DIMENSIONS ARE APPROXIMATE UNLESS NOTED OTHERWISE TO MEET A SPECIFIC CUSTOMER NEED.

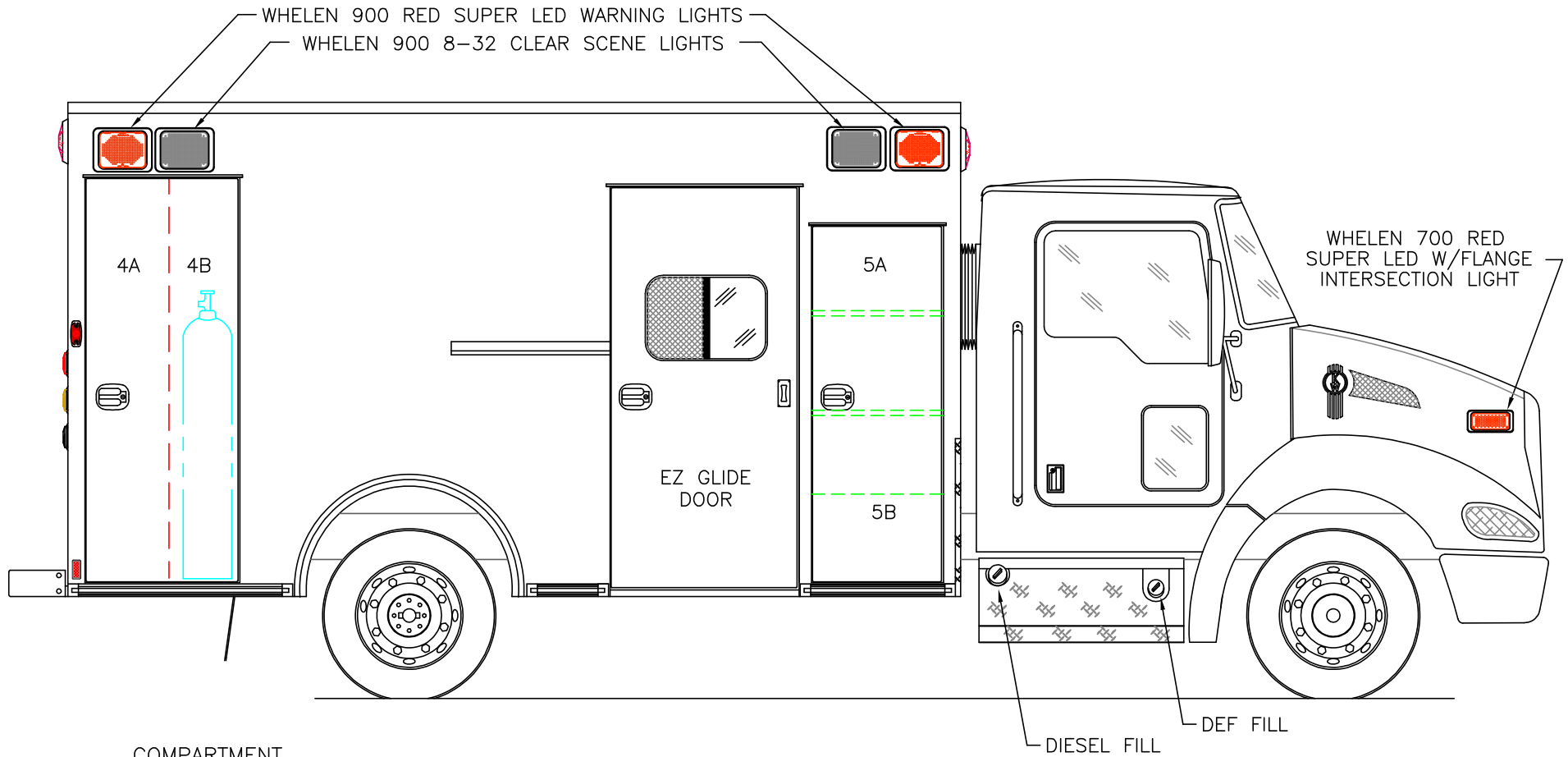


2012 STREETSIDE EXTERIOR VIEW  
 SUPER CHIEF-I/KENWORTH T270 CHASSIS

DATE:	07 JULY 11	
DWG.	GLF	REV
		NR

DRAWING NO.	SCKEN-3
1:30	

DIMENSIONS FOR OVERALL HEIGHT AND LENGTH ARE APPROXIMATE  
 OVERALL HEIGHT = 114.5"  
 OVERALL LENGTH = 293.5"  
 MODULE LENGTH = 170"  
 CAB-TO-AXLE = 108"



COMPARTMENT  
 O.S.S #4

CLEAR OPENING: 75.50h x 25.25w  
 INSIDE DIM'S. 4A: 76.50h x 16.00w x 21.75d  
 BACKBOARD/SCOOP STORAGE

INSIDE DIM'S. 4B: 76.50h x 13.50w x 13.00d  
 OXYGEN CYLINDER STORAGE

O.S.S #5

CLEAR OPENING: 66.50h x 21.25w  
 INSIDE DIM'S. 5A: 49.50h x 25.50w x 28.50d  
 INSIDE/OUTSIDE STORAGE WITH TWO (2) ADJUSTABLE SHELVES

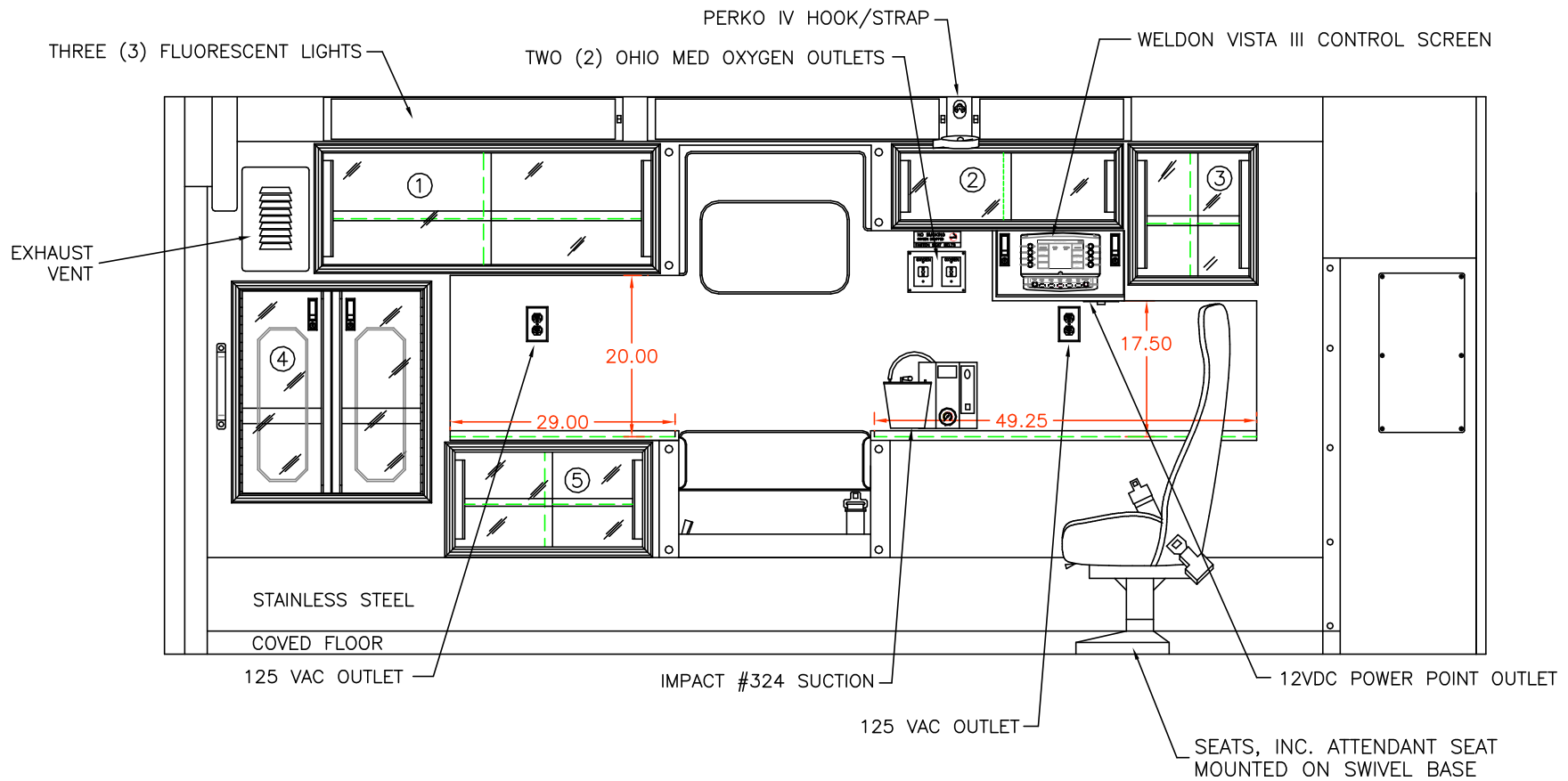
INSIDE DIM'S. 5B: 16.25h x 20.50w x 19.00d

THIS DRAWING IS FOR REPRESENTATIONAL PURPOSES ONLY. DETAILS ARE CONCEPTUAL AND ARE SUBJECT TO CHANGE DURING DESIGN AND CONSTRUCTION  
 DIMENSIONS ARE APPROXIMATE UNLESS NOTED OTHERWISE TO MEET A SPECIFIC CUSTOMER NEED.



2012 CURBSIDE EXTERIOR VIEW  
 SUPER CHIEF-I/KENWORTH T270 CHASSIS

DATE:	07 JULY 11		DRAWING NO.
DWG.	GLF	REV.	NR
1:30			SCKEN-4



COMPARTMENT

- #1 DOOR OPENING: 14.25h x 42.25w  
INSIDE DIMS: 16.00h x 44.00w x 19.50d  
ONE (1) ADJUSTABLE SHELF
- #2 DOOR OPENING: 8.50h x 27.75w  
INSIDE DIMS: 10.25h x 29.50w x 19.50d
- #3 DOOR OPENING: 15.75h x 14.50w  
INSIDE DIMS: 19.00h x 16.25w x 19.50d  
ONE (1) ADJUSTABLE SHELF

- #4 DOOR OPENING: 26.25h x 23.50w  
INSIDE DIMS: O.S.S. #3  
RECESSED .375" ACRYLIC DOORS WITH FULL LENGTH HANDLES  
TWO (2) LOCKING LEVER LATCHES
- #5 DOOR OPENING: 12.00h x 24.00w  
INSIDE DIMS: 13.75h x 28.25w x 18.50d  
ONE (1) ADJUSTABLE SHELF

THIS DRAWING IS FOR REPRESENTATIONAL PURPOSES ONLY. DETAILS ARE CONCEPTUAL AND ARE SUBJECT TO CHANGE DURING DESIGN AND CONSTRUCTION DIMENSIONS ARE APPROXIMATE UNLESS NOTED OTHERWISE TO MEET A SPECIFIC CUSTOMER NEED.



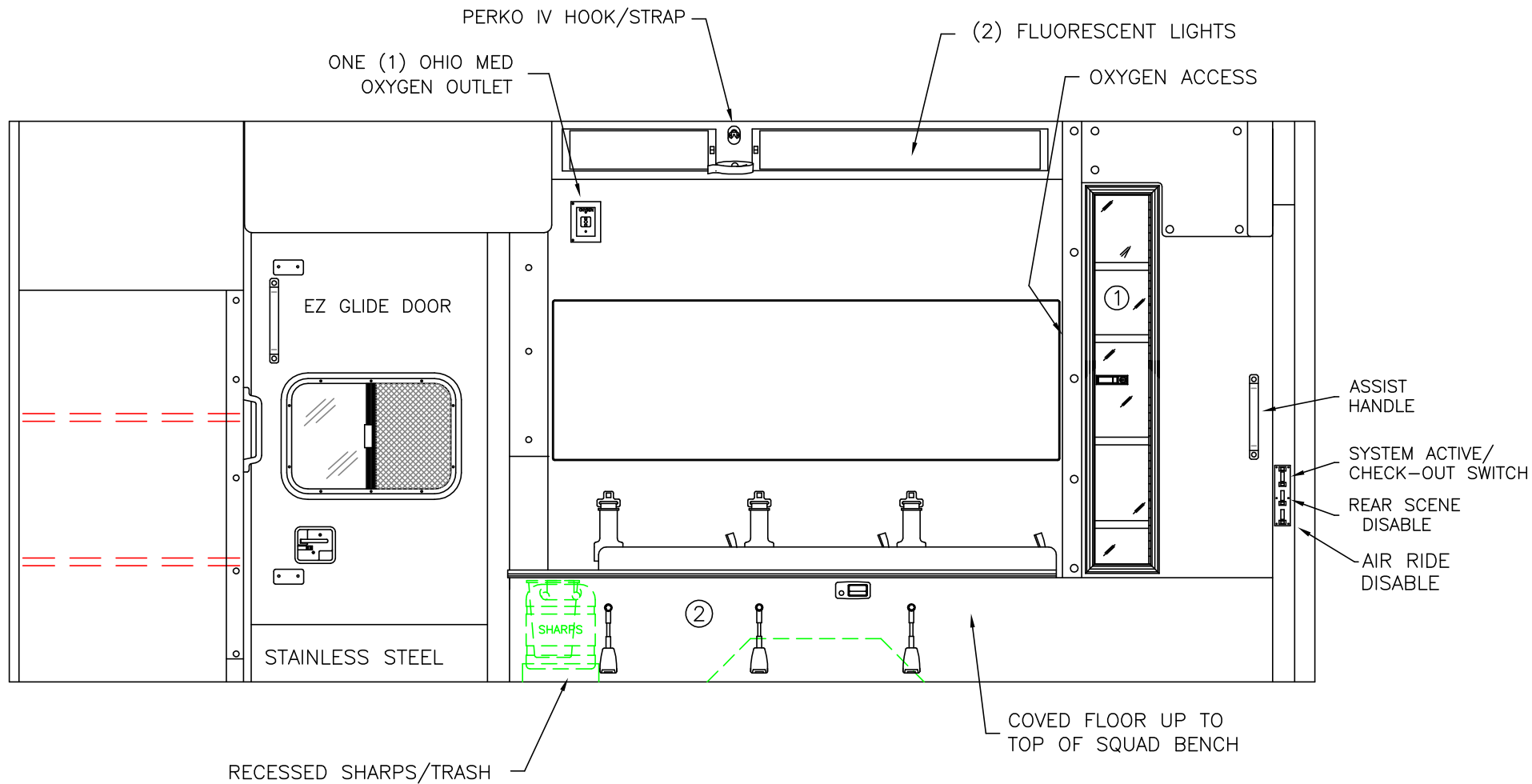
2012 STREETSIDE INTERIOR VIEW  
SUPER CHIEF-I

DATE:		07 JULY 11	
DWG.	GLF	REV.	NR

DRAWING NO.

SCKEN-5

1:22



COMPARTMENT

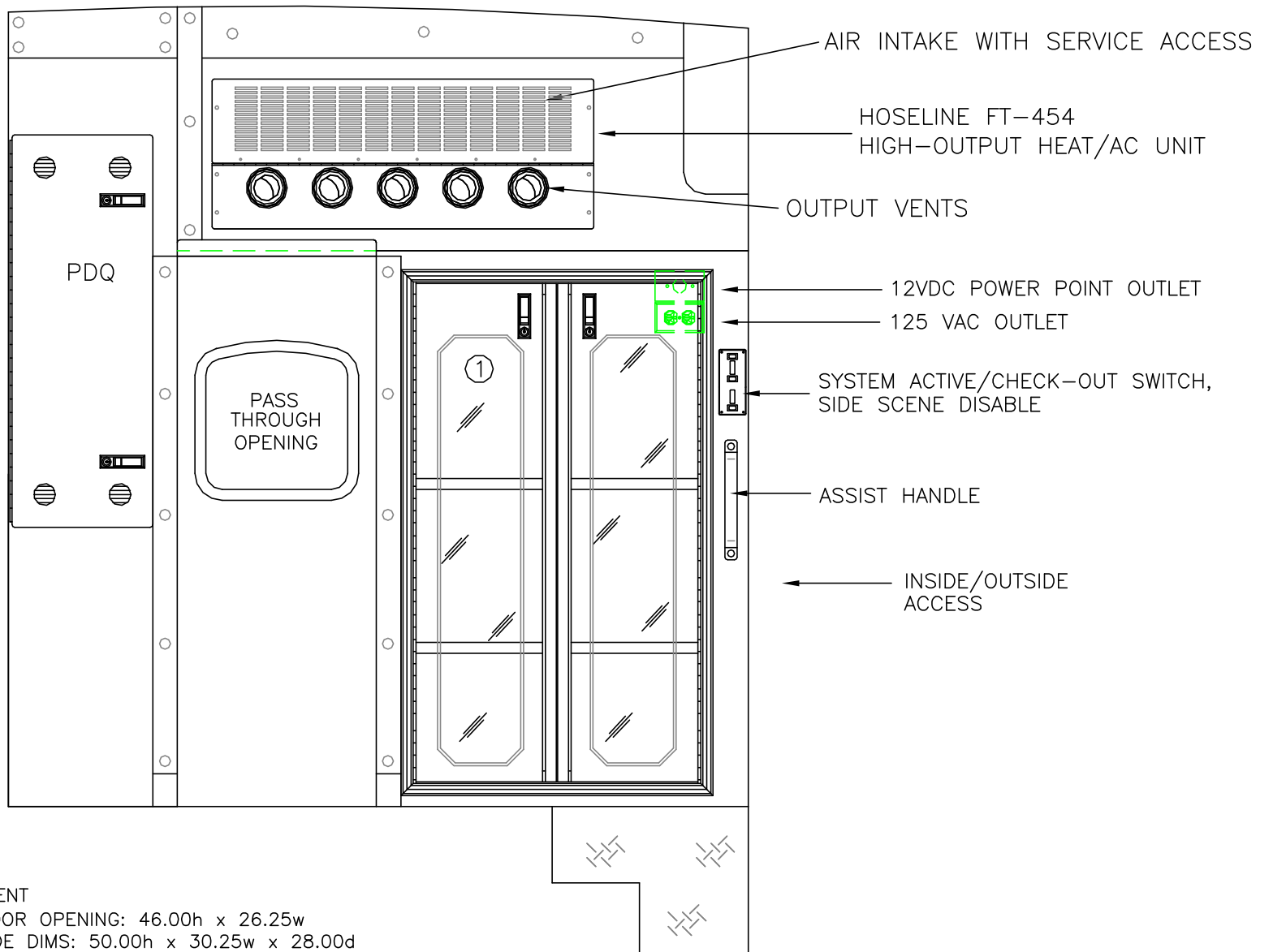
- #1 DOOR OPENING: 48.00h x 7.25w
- INSIDE DIMS: 50.00h x 13.25w x 7.50d
- RECESSED .375" ACRYLIC DOOR
- ONE (1) LOCKING LEVER LATCH
- FOUR (4) ADJUSTABLE SHELVES
- #2 INSIDE DIM'S: 14.25h x 72.75w x 21.00d

THIS DRAWING IS FOR REPRESENTATIONAL PURPOSES ONLY. DETAILS ARE CONCEPTUAL AND ARE SUBJECT TO CHANGE DURING DESIGN AND CONSTRUCTION DIMENSIONS ARE APPROXIMATE UNLESS NOTED OTHERWISE TO MEET A SPECIFIC CUSTOMER NEED.



2012 CURBSIDE INTERIOR VIEW  
SUPER CHIEF-I

DATE:	07 JULY 11		DRAWING NO.
DWG.	GLF	REV.	NR
1:20			SCKEN-6



COMPARTMENT

- #1 DOOR OPENING: 46.00h x 26.25w
- INSIDE DIMS: 50.00h x 30.25w x 28.00d
- RECESSED .375" ACRYLIC DOORS WITH FULL LENGTH HANDLES
- TWO (2) LOCKING LEVER LATCHES
- TWO (2) ADJUSTABLE SHELVES

THIS DRAWING IS FOR REPRESENTATIONAL PURPOSES ONLY. DETAILS ARE CONCEPTUAL AND ARE SUBJECT TO CHANGE DURING DESIGN AND CONSTRUCTION  
 DIMENSIONS ARE APPROXIMATE UNLESS NOTED OTHERWISE TO MEET A SPECIFIC CUSTOMER NEED.

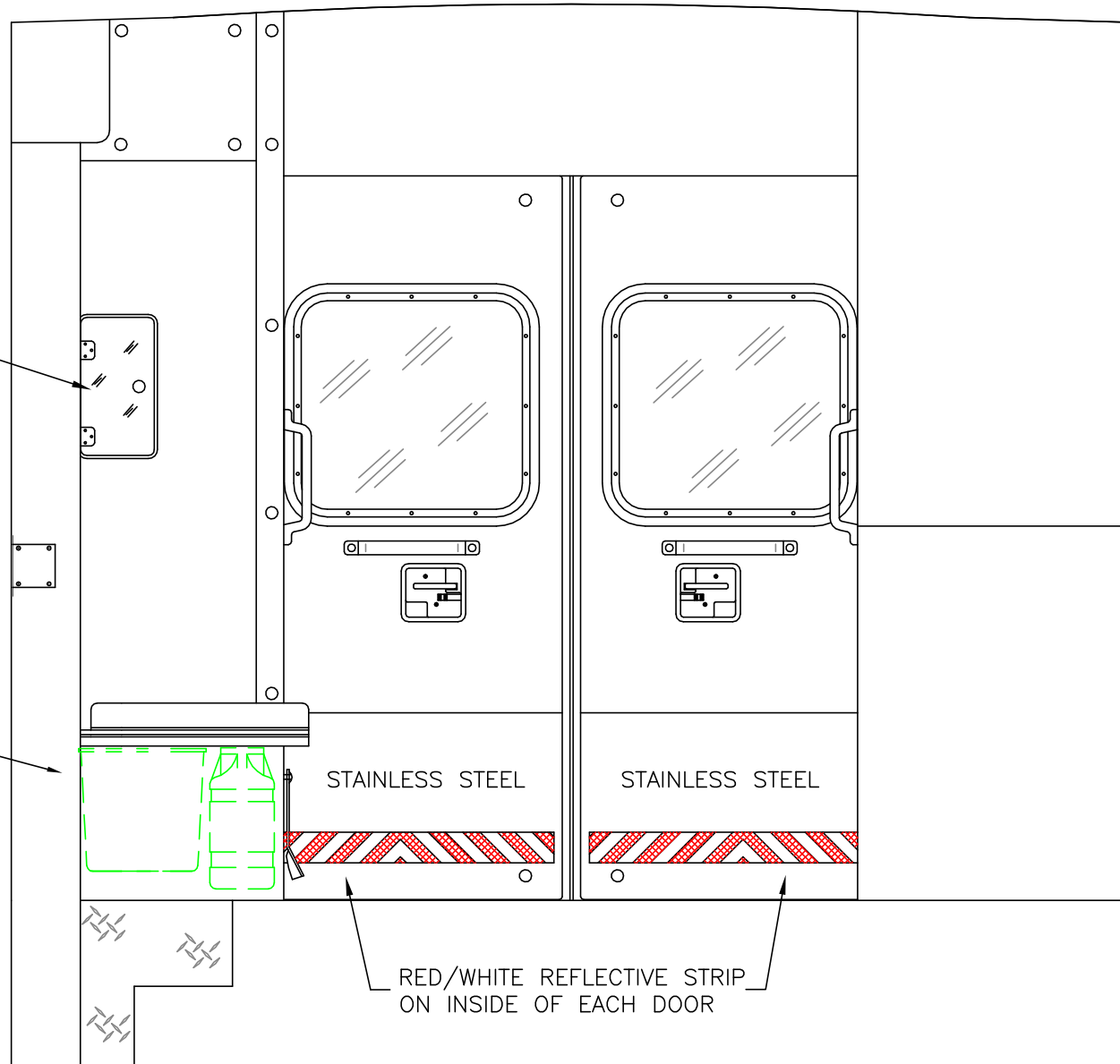


2012 PARTITION INTERIOR VIEW  
 SUPER CHIEF-I

DATE: 07 JULY 11	DRAWING NO.	
	SCKEN-7	
DWG. GLF	REV. NR	1:14

OXYGEN ACCESS

RECESSED SHARPS/  
TRASH



STAINLESS STEEL

STAINLESS STEEL

RED/WHITE REFLECTIVE STRIP  
ON INSIDE OF EACH DOOR

THIS DRAWING IS FOR REPRESENTATIONAL PURPOSES ONLY. DETAILS ARE CONCEPTUAL AND ARE SUBJECT TO CHANGE DURING DESIGN AND CONSTRUCTION DIMENSIONS ARE APPROXIMATE UNLESS NOTED OTHERWISE TO MEET A SPECIFIC CUSTOMER NEED.

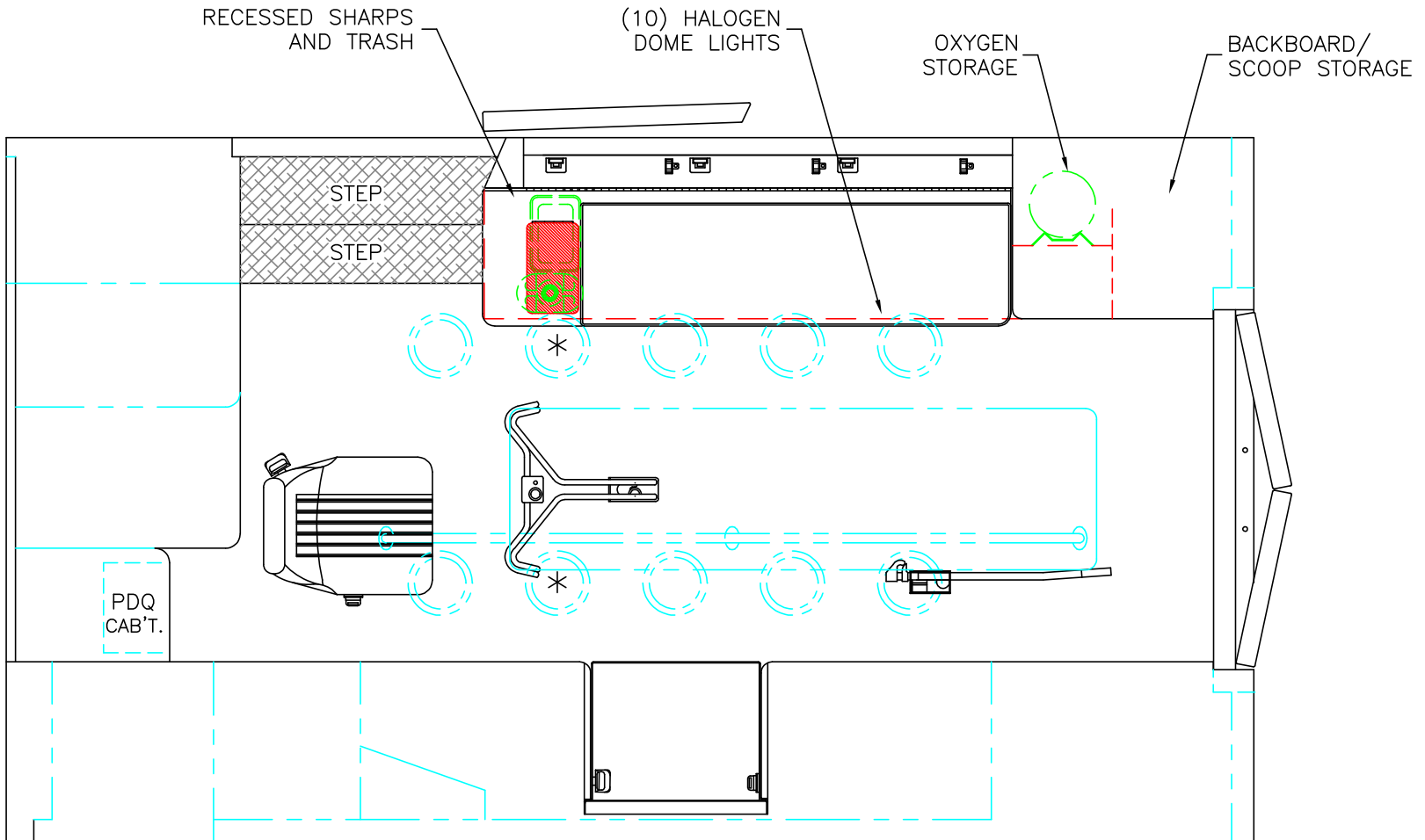


2012 REAR INTERIOR VIEW  
SUPER CHIEF-1

1:14

DATE:	07 JULY 11
DWG.	REV.
GLF	NR

DRAWING NO.  
SCKEN-8



\* TWO (2) ANTENNA BASES LOCATED OUTBOARD OF DOME LIGHTS WITH COAX SERVICE LOOP

STRYKER CENTER MOUNT COT HARDWARE

MODULE WIDTH = 96"

MODULE LENGTH = 170"

MODULE HEAD ROOM = 73.5"

THIS DRAWING IS FOR REPRESENTATIONAL PURPOSES ONLY. DETAILS ARE CONCEPTUAL AND ARE SUBJECT TO CHANGE DURING DESIGN AND CONSTRUCTION DIMENSIONS ARE APPROXIMATE UNLESS NOTED OTHERWISE TO MEET A SPECIFIC CUSTOMER NEED.



2012 FLOOR INTERIOR VIEW  
SUPER CHIEF-I

1:23

DATE: 07 JULY 11	
DWG. GLF	REV. NR

DRAWING NO.  
SCKEN-9